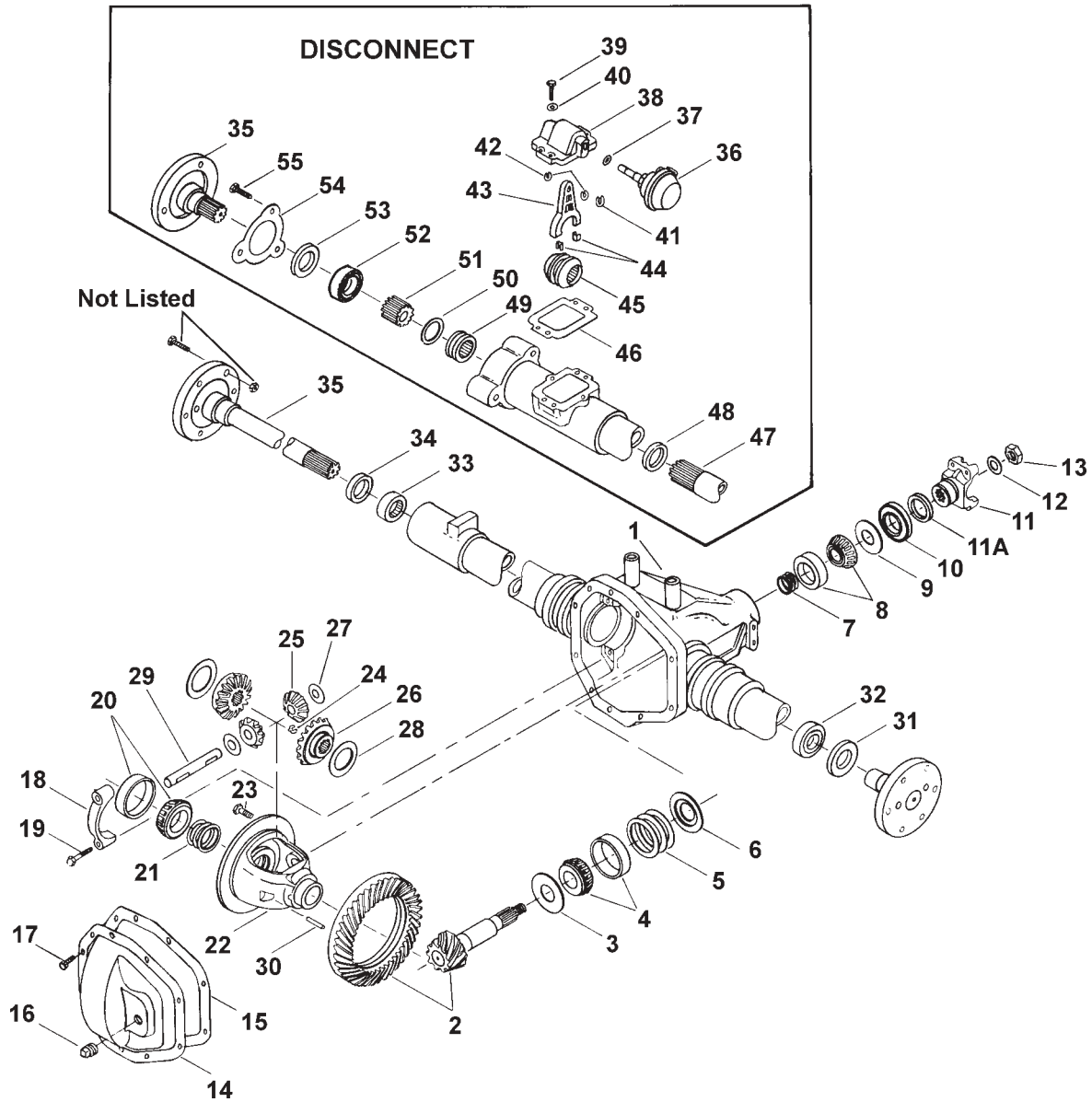


## **Jeep / Eagle 1980-1987 1/2**

**Model 30 /181 IFS  
Front Axles for**

**Eagle**

# Jeep 30 /181 IFS Front Axles Exploded View



# Jeep 30 /181 IFS Front Axles Parts Listing

ITEM NO.	PART NUMBER	DESCRIPTION	ITEM NO.	PART NUMBER	DESCRIPTION
1	— <sup>(3)</sup>	Housing – Axle Service	28	40027	Thrustwasher – Differential Gear
2	— <sup>(1)</sup>	Drive Pinion & Gear Assembly	29	32915	Shaft – Differential
3	30764	Slinger – Inner Pinion	30	13449	Lock – Differential Shaft
	700132	PKG – Pinion Bearing Shim (inc items 5, 7, 12, 13, 15, 24)	31	— <sup>(2)</sup>	Oil Seal
	700134	PKG – Diff & Pinion Bearing Shim (inc items 5, 7, 12, 13, 15, 21, 24)	32	— <sup>(2)</sup>	Bearing
4	706015X	KIT – Inner Pinion Bearing	33	620492	Bearing
5	—	Inner Pinion Bearing Shims (see shim packages)	34	620493	Oil Seal
6	32349	Baffle – Pinion Bearing	35	— <sup>(1)</sup>	Axle Shaft
7	—	Outer Pinion Bearing Shims (see shim packages)		706826X	KIT – Vacuum Motor (inc items 36,37,39,40,41,42,44,46)
8	706030X	KIT – Outer Pinion Bearing		706825X	KIT – Shift Fork (inc items 37,39,40,42,43,44,46)
9	13575	Slinger – Outer Pinion Bearing		706824X	KIT – Shift Clip (inc items 39,40,44,46)
10	39118	Seal – Pinion Oil	36	621070	Motor Assembly
11	2-4-8091-1X	End Yoke Assembly (inc 11A)	37	620980	O-Ring
11A	41498	Slinger – End Yoke	38	621064	Cover – Disconnect Housing
12	30186	Washer – Pinion Nut	39	500396-9	Cap Screw
13	30185	Pinion Nut	40	500357-9	Lockwasher
	706867X	KIT – Carrier Cover (inc 14-17)	41	621097	Snap Ring
14	32538	Carrier Cover	42	620979	Snap Ring
15	34684	Gasket – Carrier Cover	43	621067	Shift Fork
16	36472	Plug – Carrier Cover	44	621059	Clips – Shift Fork
17	34279	Bolt – Carrier Cover (qty 10)	45	620973	Clutch Collar
18	— <sup>(3)</sup>	Differential Bearing Cap	46	41494	Gasket
19	48631-1	Bolt – Differential Bearing Cap	47	40368	Shaft – Output
20	706016X	KIT – Differential Bearing	48	621000	Bearing
21	700133	KIT – Diff Bearing Shim (inc 15, 24)	49	620971	Bearing
22	— <sup>(4)</sup>	Case – Differential (std)	50	40081	Snap Ring
23	30187	Bolt – Drive Gear (qty 10)	51	620967	Gear – Outer Disconnect
24	42570	Snap Ring	52	565909	Bearing – Unitized
25	32926	Pinion – Differential	53	35938	Oil Seal
26	620486	Gear – Differential	54	620966	Plate – Retaining
27	34096	Thrustwasher – Differential Pinion	55	500501-3	Bolt

(1) See "Bill of Material Table" on next page

(2) See "Variable Parts Table" below

(3) Contact Vehicle Manufacturer

(4) Not Sold Separately

## Variable Parts Listing

Kits & Parts - Use With All Applications									
Description & Item Number (Refer to "Exploded View on previous page")			Bills of Material						
			610078	610134	610152	610153	610173	610174	610235
1	Oil Seal	31	620840	620491	620840	620491	620840	620491	620840
2	Bearing	32	565977	620490	565977	620490	565977	620490	565977

# Jeep 30 /181 IFS Front Axles

## Bill of Material Table

Axle			Axle Kits				Shaft & Joint Assy.	
Bill of Material	Diff. Type	Ratio	Ring Gear & Pinion Kit <sup>(7)</sup>	Differential			Right Hand Shaft Assy.	Left Hand Shaft Assy.
				Case Assy. Kit <sup>(8)</sup>	Case Kit	Inner Parts Kit		
<b>1980-81 IFS – Eagle – Non-Disconnect</b>								
610078-1	Standard	3.07	700128-1	706819X	700130	706820X	620515	620516
610078-2	Standard	3.54	700128-6	706819X	700130	706820X	620515	620516
610078-5	Standard	3.07	700128-1	706819X	700130	706820X	620515	620516
610078-6	Standard	3.54	700128-6	706819X	700130	706820X	620515	620516
610078-8	Standard	2.72	700128-2	706819X	700130	706820X	620515	620516
<b>1981 IFS – Eagle – Disconnect</b>								
610134-1	Standard	3.07	700128-1	706819X	700130	706820X	620964	620516
610134-3	Standard	3.31	700128-5	706819X	700130	706820X	620964	620516
610134-5	Standard	3.54	700128-6	706819X	700130	706820X	620964	620516
610134-7	Standard	2.72	700128-2	706819X	700130	706820X	620964	620516
<b>1982-82 1/2 IFS – Eagle – Non-Disconnect</b>								
610152-1	Standard	2.35	700128-7	706819X	700130	706820X	620515	620516
610152-4	Standard	2.72	700128-2	706830X	706831X	706820X	620515	620516
610152-5	Standard	3.54	700128-6	706830X	706831X	706820X	620515	620516
610152-6	Standard	3.07	700128-1	706830X	706831X	706820X	620515	620516
<b>1982-82 1/2 IFS – Eagle – Disconnect</b>								
610153-1	Standard	2.35	700128-7	706819X	700130	706820X	620964	620516
610153-4	Standard	2.72	700128-2	706819X	700130	706820X	620964	620516
610153-5	Standard	3.54	700128-6	706819X	700130	706820X	620964	620516
610153-6	Standard	2.72	700128-1	706819X	700130	706820X	620964	620516
<b>1983-84 IFS – Eagle – Non-Disconnect</b>								
610173-1	Standard	2.35	700128-7	706819X	700130	706820X	620515	620842
610173-4	Standard	2.72	700128-2	706830X	706831X	706820X	620515	620842
610173-5	Standard	3.54	700128-6	706830X	706831X	706820X	620515	620842
610173-6	Standard	3.07	700128-1	706830X	706831X	706820X	620515	620842
<b>1983-84 IFS – Eagle – Disconnect</b>								
610174-1	Standard	2.35	700128-7	706819X	700130	706820X	620964	620842
610174-4	Standard	2.72	700128-2	706830X	706831X	706820X	620964	620842
610174-5	Standard	3.54	700128-6	706830X	706831X	706820X	620964	620842
610174-6	Standard	3.07	700128-1	706830X	706831X	706820X	620964	620842
<b>1985-87 1/2 IFS – Eagle – Non-Disconnect – CV</b>								
610235-1	Standard	2.35	700128-7	706819X	700130	706820X	620515	620842
610235-2	Standard	2.72	700128-2	706830X	706831X	706820X	620515	620842
610235-3	Standard	3.07	700128-1	706830X	706831X	706820X	620515	620842

NOTE: All Ring & Pinion Kits with base number 706930 are reverse spiral bevel

(7) See Ring Gear & Pinion Kits in XGI Catalog for ratio & tooth combinations.

(8) See Differential Case Assy Kits in XGI Catalog for spline data & ratios.