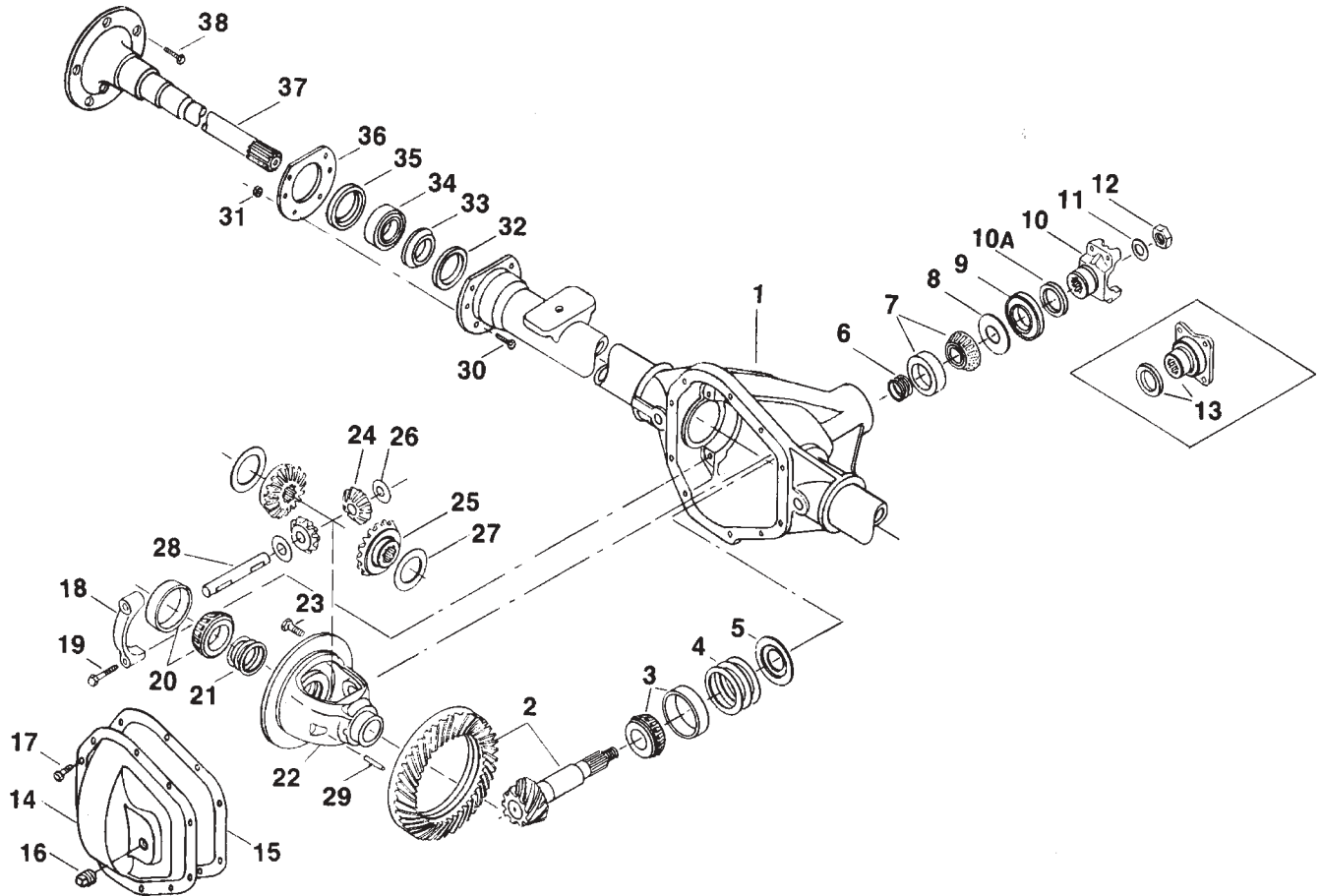


Ford 1979

Model 44 /216 Rear Axles for

F-100, F-150

Ford Model 44 /216 Rear Axles Exploded View



Ford Model 44 /216 Rear Axles Parts Listing

ITEM NO.	PART NUMBER	DESCRIPTION	ITEM NO.	PART NUMBER	DESCRIPTION
1	— ⁽³⁾	Housing – Axle Service	17	34279	Bolt – Carrier Cover (qty 10)
2	— ⁽¹⁾	Drive Pinion & Gear Assembly	18	— ⁽³⁾	Differential Bearing Cap
3	706031X	KIT – Inner Pinion Bearing	19	48632-1	Bolt – Differential Bearing Cap
4	— ⁽⁴⁾	Inner Pinion Bearing Shims (see shim packages)	20	706032X	KIT – Differential Bearing
5	30765	Baffle – Pinion Bearing	21	706086X	PKG – Diff Bearing Shim (inc 15)
	706376X	PKG – Diff & Pinion Bearing Shim (inc items 4, 6, 11, 12, 15, 21)	22	— ⁽⁴⁾	Case – Differential
6	— ⁽⁴⁾	Outer Pinion Bearing Shims (see shim packages)	23	30187	Bolt – Drive Gear (qty 10)
	706358X	PKG – Pinion Bearing Shim (inc items 4, 6, 11, 12, 15)	24	17717	Pinion – Differential
7	706030X	KIT – Outer Pinion Bearing	25	31487	Gear – Differential
8	13575	Slinger – Outer Pinion Bearing	26	13338-3	Thrustwasher – Diff Pinion
9	39118	Seal – Pinion Oil	27	32121	Thrustwasher – Diff Gear
10	2-4-6111X	End Yoke or Assembly (inc 10A)	28	17878	Shaft – Differential
10A	41498	Slinger – End Yoke	29	13449	Lock – Differential Shaft
11	30186	Washer – Pinion Nut	30	— ⁽³⁾	Bolt – Brake Mounting
12	30185	Pinion Nut	31	— ⁽³⁾	Nut – Brake Mounting
13	—	Companion Flange Assembly		706763X	KIT – Unit Bearing & Seal (inc items 32, 33, 34, 35, 36)
	706112X	KIT – Carrier Cover (inc items 14, 15, 16, 17)	32	34419	Seal – Inboard Shaft
14	39015	Carrier Cover	33	38888	Retainer Ring – Wheel Bearing
15	34685	Gasket – Carrier Cover	34	565903	Wheel Bearing Assembly
16	36472	Plug – Carrier Cover	35	35239	Seal – Outboard Shaft
			36	39386	Retainer – Oil Seal
			37	— ⁽¹⁾	Axle Shaft Assembly
			38	38638	Bolt – Axle Shaft

(1) See "Bill of Material Table" below

(3) Contact Vehicle Manufacturer

(4) Not Sold Separately

Bill of Material Table

Axle			Axle Kits				Shaft & Joint Assy.	
Bill of Material	Diff. Type	Ratio	Ring Gear & Pinion Kit ⁽⁷⁾	Differential			Right Hand Shaft Assy.	Left Hand Shaft Assy.
				Case Assy. Kit ⁽⁸⁾	Case Kit	Inner Parts Kit		
1979 F-100 & F-150								
603973-1	Standard	2.72	706017-19X	706020X	706024X	706027X	71025-1X	71025-2X
603973-2	Standard	2.72	706017-19X	706020X	706024X	706027X	71025-1X	71025-2X

(7) See Ring Gear & Pinion Kits in XGI Catalog for ratio & tooth combinations.

(8) See Differential Case Assy Kits in XGI Catalog for spline data & ratios.