

Ford 1980-1996 1/2

Model 44 /216 IFS Front Axles for

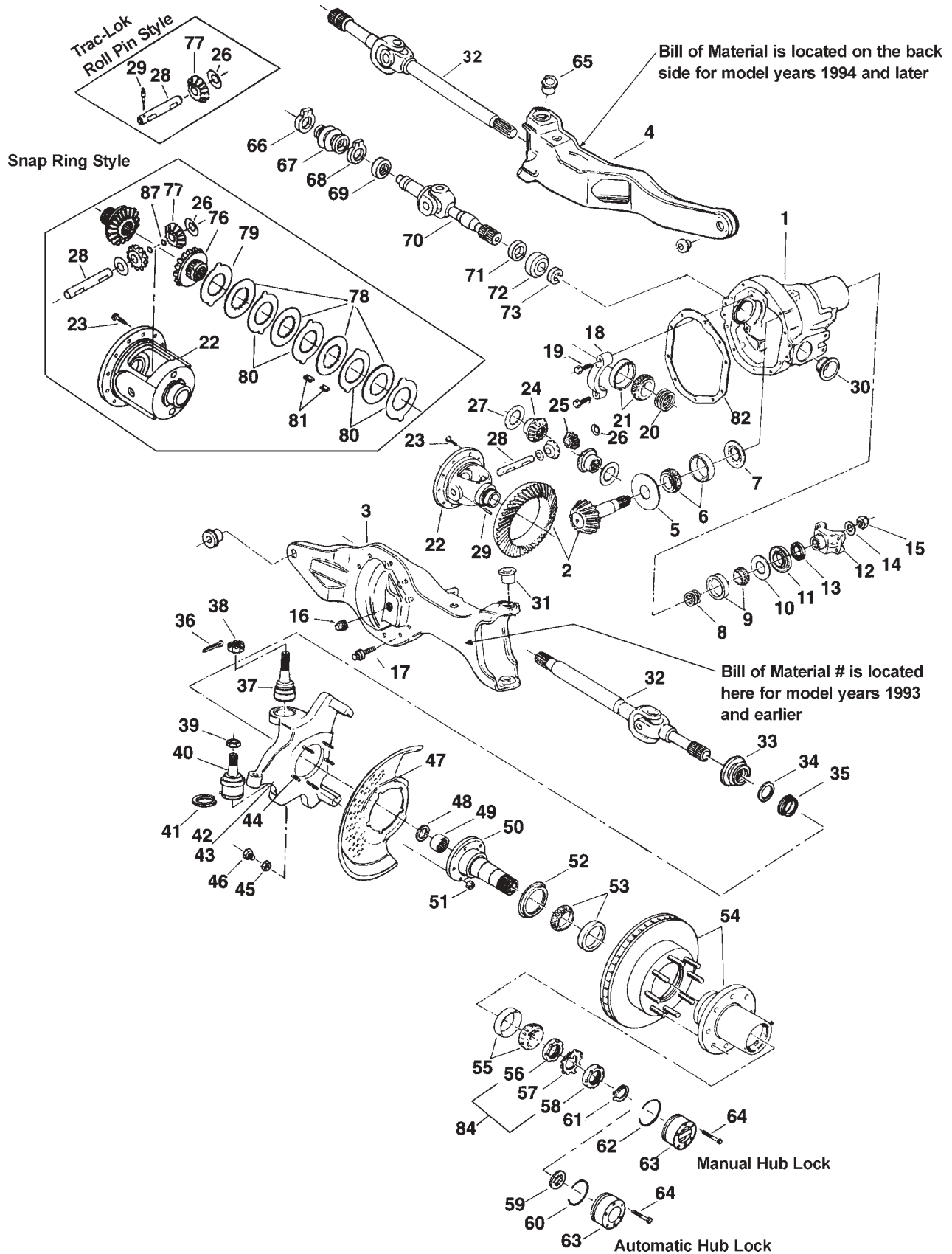
Bronco

Bronco II

F-150, F-250, F-350

Ranger

Ford Model 44 /216 IFS Front Axles Exploded View



Ford Model 44 /216 IFS Front Axles

Parts Listing

ITEM NO.	PART NUMBER	DESCRIPTION	ITEM NO.	PART NUMBER	DESCRIPTION
1	— ⁽³⁾	Housing – Axle Service	45	— ⁽²⁾	Jam Nut
2	— ⁽¹⁾	Drive Pinion & Gear Assembly	46	— ⁽²⁾	Stop Screw
3	— ⁽³⁾	LH Support Arm Assembly	47	— ⁽³⁾	Dust Shield
4	— ⁽³⁾	RH Support Arm Assembly	48	— ⁽²⁾	Seal – Needle Bearing
5	— ⁽²⁾	Slinger Shim – Inner Pinion Bearing (see shim packages)	49	550759	Needle Bearing Assembly
	707238X	PKG – Pinion Bearing Shim (inc 5, 8, 14, 15, 73, 82)	50	— ⁽²⁾	Spindle
	707236X	PKG – Diff & Pinion Bearing Shim (inc 5, 8, 14, 15, 20, 73, 82)		— ⁽²⁾	KIT – Spindle Seal & Bearing (inc items 34, 35, 48, 49)
6	— ⁽²⁾	KIT – Inner Pinion Bearing	51	— ⁽²⁾	KIT – Spindle (33, 34, 35, 48, 49, 50)
7	— ⁽²⁾	Baffle – Pinion Bearing	52	— ⁽²⁾	Assembly – Spindle (inc 48, 49, 50)
8	— ⁽⁴⁾	Outer Pinion Bearing Shims (see shim packages)	53	— ⁽²⁾	Lock Nut (qty 10)
9	706030X	KIT – Outer Pinion Bearing	54	— ⁽³⁾	Oil Seal
10	13575	Slinger – Outer Pinion Bearing	55	706111X	KIT – Inner Wheel Bearing
11	40793	Seal – Pinion Oil	56	— ⁽²⁾	Hub & Rotor
12	2-4-6111X	End Yoke Assembly (inc 13)	57	— ⁽²⁾	KIT – Outer Wheel Bearing
13	41498	Slinger – End Yoke	58	— ⁽²⁾	Nut & Pin Assembly
14	30186	Washer – Pinion Nut	59	— ⁽²⁾	Lock Nut
15	30185	Pinion Nut	60	— ⁽²⁾	Spindle Nut
16	36472	Oil Fill Plug	61	— ⁽²⁾	Axle Shaft Retainer
17	620631	Bolt – Carrier	62	— ⁽²⁾	Snap Ring
18	— ⁽⁴⁾	Differential Bearing Cap	63	— ⁽²⁾	Snap Ring
19	48632-1	Screw – Differential Bearing Cap	64	— ⁽³⁾	Snap Ring
20	706928X	KIT – Differential Bearing Shim	65	— ⁽²⁾	Hub Lock
21	706032X	KIT – Differential Bearing	66	— ⁽²⁾	Screw – Socket Head (Hub Lock)
22	— ⁽⁴⁾	Case – Differential	67	— ⁽⁵⁾	Camber Bushing (RH)
23	41221	Bolt – Drive Gear	68	40540-4	Clamp – Keystone
24	— ⁽²⁾	Gear – Differential (std)	69	40929	Rubber Boot
25	17717	Pinion – Differential (std)	70	40540-3	Clamp – Keystone
26	13338-3	Thrustwasher – Diff Pinion (std & t/l)	71	40930	Oil Seal
27	— ⁽²⁾	Thrustwasher – Differential Gear (std)	72	— ⁽¹⁾	Shaft & Slip Yoke Assembly
28	39194	Shaft – Differential (std & t/l)	73	— ⁽²⁾	KIT – Unit Bearing & Seal (inc items 71, 72, 73)
29	13449 ⁽⁶⁾	Lock – Differential Shaft (std & t/l)		— ⁽²⁾	Oil Seal
30	40710	Oil Seal		— ⁽²⁾	Bearing
31	— ⁽⁵⁾	Camber Bushing (LH)		42570	Snap Ring
32	— ⁽¹⁾	Shaft & Joint Assembly	N.I.		The following two parts were used in vehicles 1982 or earlier.
33	— ⁽²⁾	Slinger	N.I.	— ⁽²⁾	Retainer – Oil Seal
34	— ⁽²⁾	Oil Seal	76	—	Retainer – Bearing Ring
35	— ⁽²⁾	Spacer – Wheel Bearing Spindle	77	32808	Gear – Differential (t/l)
	700083-1X	KIT – Socket Assembly (36, 37, 38, 39, 40, 41 also includes 43579 camber bushing)		706352X	Pinion – Differential (t/l)
36	500024-8	Cotter Pin	78	— ⁽⁴⁾	KIT – Differential Plate & Disc (inc items 78, 79, 80, 81)
37	47184	Socket – Upper	79	— ⁽⁴⁾	Disc – Differential
38	44101	Nut – Upper	80	— ⁽⁴⁾	Plate – Differential
39	35566	Nut – Lower	81	40835	Plate – Differential Pressure
40	47182	Socket – Lower	82	34685	Clip – Differential Clutch Retainer
41	35928	Snap Ring	83	38615	Gasket
42	— ⁽³⁾	Right Knuckle	84	— ⁽²⁾	RTV Silicone Sealant
43	— ⁽³⁾	Left Knuckle	N.I.	— ⁽²⁾	Wheel Bearing Retainer Assembly
44	— ⁽²⁾	Bolt – Hex	86	— ⁽³⁾	PKG – Washer
			87	—	Sensor Housing Kit (ABS)
					Snap Ring Style Trac-Loc

N.I. = Not Illustrated

(1) See "Bill of Material Table" on next page

(2) See "Variable Parts Table" within this section

(3) Contact Vehicle Manufacturer

(4) Not Sold Separately

(5) See Camber/Casting Bushing Table in back of the Ford section of this catalog

(6) Some Trac Lok applications may have used two (2) part number 35660 snap rings instead of one (1) part number 13449 differential shaft lock

Ford Model 44 /216 IFS Front Axles

Bill of Material Table

Axle			Axle Kits				Shaft & Joint Assy.		
Bill of Material	Diff. Type	Ratio	Ring Gear & Pinion Kit ⁽⁷⁾	Differential			Right Hand Shaft Assy.	Left Hand Shaft Assy.	Shaft & Slip Yoke Assy.
				Case Assy. Kit ⁽⁸⁾	Case Kit	Inner Parts Kit			
1980 Bronco II & F-150 Pick-Up with Part Time Transfer Case									
610062-1	Standard	3.00	707240-2X	706020X	706024X	706027X	72044-1X	71394-1X	71432-1X
610062-2	Standard	3.00	707240-2X	706020X	706024X	706027X	72044-1X	71394-1X	71432-1X
610062-3	Standard	3.50	707240-5X	706020X	706024X	706027X	72044-1X	71394-1X	71432-1X
610062-4	Standard	3.50	707240-5X	706020X	706024X	706027X	72044-1X	71394-1X	71432-1X
610062-5	Trac Lok	3.50	707240-5X	707115X	707116X	706026X	72044-1X	71394-1X	71432-1X
610062-6	Trac Lok	3.50	707240-5X	707115X	707116X	706026X	72044-1X	71394-1X	71432-1X
610062-7	Standard	3.00	707240-2X	706020X	706024X	706027X	72044-1X	71394-1X	71432-1X
610062-8	Standard	3.00	707240-2X	706020X	706024X	706027X	72044-1X	71394-1X	71432-1X
610062-9	Standard	3.50	707240-5X	706020X	706024X	706027X	72044-1X	71394-1X	71432-1X
610062-10	Standard	3.50	707240-5X	706020X	706024X	706027X	72044-1X	71394-1X	71432-1X
610062-11	Trac Lok	3.50	707240-5X	707115X	707116X	706026X	72044-1X	71394-1X	71432-1X
610062-12	Trac Lok	3.50	707240-5X	707115X	707116X	706026X	72044-1X	71394-1X	71432-1X
610062-13	Standard	3.00	707240-2X	706020X	706024X	706027X	72044-1X	71394-1X	71432-1X
610062-14	Standard	3.00	707240-2X	706020X	706024X	706027X	72044-1X	71394-1X	71432-1X
610062-15	Standard	3.50	707240-5X	706020X	706024X	706027X	72044-1X	71394-1X	71432-1X
610062-16	Standard	3.50	707240-5X	706020X	706024X	706027X	72044-1X	71394-1X	71432-1X
610062-17	Trac Lok	3.50	707240-5X	707115X	707116X	706026X	72044-1X	71394-1X	71432-1X
610062-18	Trac Lok	3.50	707240-5X	707115X	707116X	706026X	72044-1X	71394-1X	71432-1X
610062-19	Standard	3.00	707240-2X	706020X	706024X	706027X	72044-1X	71394-1X	71432-1X
1980 F-250 3/4-Ton Pick-Up (Part Time Transfer Case)									
610063-1	Standard	3.54	707240-6X	706020X	706024X	706027X	71395-1X	71396-1X	660396-1
610063-2	Standard	3.54	707240-6X	706020X	706024X	706027X	71395-1X	71396-1X	660396-1
610063-3	Trac Lok	3.54	707240-6X	707115X	707116X	706026X	71395-1X	71396-1X	660396-1
610063-4	Trac Lok	3.54	707240-6X	707115X	707116X	706026X	71395-1X	71396-1X	660396-1
610063-5	Standard	4.09	707240-9X	706021X	706025X	706027X	71395-1X	71396-1X	660396-1
610063-6	Standard	3.54	707240-6X	706020X	706024X	706027X	71395-1X	71396-1X	660396-1
1981 F-250 & F-350 HD									
610146-1	Standard	3.00	707240-2X	706020X	706024X	706027X	72045-1X	71396-1X	660396-1
610146-2	Trac Lok	3.00	707240-2X	707115X	707116X	706026X	72045-1X	71396-1X	660396-1
610146-3	Standard	3.54	707240-6X	706020X	706024X	706027X	72045-1X	71396-1X	660396-1
610146-4	Trac Lok	3.54	707240-6X	707115X	707116X	706026X	72045-1X	71396-1X	660396-1
610146-5	Standard	3.00	707240-2X	706020X	706024X	706027X	72045-1X	71396-1X	660396-1
610146-6	Standard	3.54	707240-6X	706020X	706024X	706027X	72045-1X	71396-1X	660396-1
610146-7	Standard	3.54	707240-6X	706020X	706024X	706027X	72045-1X	71396-1X	660396-1
610146-8	Standard	4.09	707240-9X	706021X	706025X	706027X	72045-1X	71396-1X	660396-1
610146-9	Trac Lok	3.54	707240-6X	707115X	707116X	706026X	72045-1X	71396-1X	660396-1
1981-82 Bronco II & F-150									
610185-1	Standard	3.00	707240-2X	706020X	706024X	706027X	72044-1X	71394-1X	71432-1X
610185-2	Standard	3.00	707240-2X	706020X	706024X	706027X	72044-1X	71394-1X	71432-1X
610185-3	Standard	3.50	707240-5X	706020X	706024X	706027X	72044-1X	71394-1X	71432-1X
610185-4	Standard	3.50	707240-5X	706020X	706024X	706027X	72044-1X	71394-1X	71432-1X
610185-5	Trac Lok	3.50	707240-5X	707115X	707116X	706026X	72044-1X	71394-1X	71432-1X
610185-6	Trac Lok	3.50	707240-5X	707115X	707116X	706026X	72044-1X	71394-1X	71432-1X
610185-7	Standard	3.50	707240-5X	706020X	706024X	706027X	72044-1X	71394-1X	71432-1X
610185-8	Standard	3.00	707240-2X	706020X	706024X	706027X	72044-1X	71394-1X	71432-1X
610185-9	Standard	3.00	707240-2X	706020X	706024X	706027X	72044-1X	71394-1X	71432-1X
610185-10	Standard	3.50	707240-5X	706020X	706024X	706027X	72044-1X	71394-1X	71432-1X

Continued on next page

(7) See Ring Gear & Pinion Kits in XGI Catalog for ratio & tooth combinations.
 (8) See Differential Case Assy Kits in XGI Catalog for spline data & ratios.

Ford Model 44 /216 IFS Front Axles

Bill of Material Table

Axle			Axle Kits				Shaft & Joint Assy.		
Bill of Material	Diff. Type	Ratio	Ring Gear & Pinion Kit ⁽⁷⁾	Differential			Right Hand Shaft Assy.	Left Hand Shaft Assy.	Shaft & Slip Yoke Assy.
				Case Assy. Kit ⁽⁸⁾	Case Kit	Inner Parts Kit			
1981-82 Bronco II & F-150 (Continued)									
610185-11	Standard	3.50	707240-5X	706020X	706024X	706027X	72044-1X	71394-1X	71432-1X
610185-12	Trac Lok	3.50	707240-5X	707115X	707116X	706026X	72044-1X	71394-1X	71432-1X
610185-13	Standard	3.50	707240-5X	706020X	706024X	706027X	72044-1X	71394-1X	71432-1X
610185-14	Standard	3.07	707240-3X	706020X	706024X	706027X	72044-1X	71394-1X	71432-1X
610185-15	Standard	3.07	707240-3X	706020X	706024X	706027X	72044-1X	71394-1X	71432-1X
610185-16	Trac Lok	3.54	707240-6X	707115X	707116X	706026X	72044-1X	71394-1X	71432-1X
610185-17	Standard	3.54	707240-6X	706020X	706024X	706027X	72044-1X	71394-1X	71432-1X
610185-18	Standard	3.54	707240-6X	706020X	706024X	706027X	72044-1X	71394-1X	71432-1X
1981 1/2-82 F-150 Snow Plow									
610166-1	Standard	3.50	707240-5X	706020X	706024X	706027X	72044-1X	71394-1X	71432-1X
610166-2	Standard	3.50	707240-5X	706020X	706024X	706027X	72044-1X	71394-1X	71432-1X
610166-3	Trac Lok	3.00	707240-2X	707115X	707116X	706026X	72044-1X	71394-1X	71432-1X
1983 Bronco & F-150									
610168-1	Standard	3.00	707240-2X	706921X	706923X	706925X	72044-1X	71394-1X	71735-1X
610168-2	Standard	3.50	707240-5X	706921X	706923X	706925X	72044-1X	71394-1X	71735-1X
610168-3	Trac Lok	3.50	707240-5X	707147X	707148X	706926X	72044-1X	71394-1X	71735-1X
610168-4	Standard	3.00	707240-2X	706921X	706923X	706925X	72044-1X	71394-1X	71735-1X
610168-5	Standard	3.00	707240-2X	706921X	706923X	706925X	72044-1X	71394-1X	71735-1X
610168-6	Standard	3.50	707240-5X	706921X	706923X	706925X	72044-1X	71394-1X	71735-1X
610168-7	Standard	3.50	707240-5X	706921X	706923X	706925X	72044-1X	71394-1X	71735-1X
610168-8	Trac Lok	3.50	707240-5X	707147X	707148X	706926X	72044-1X	71394-1X	71735-1X
610168-9	Standard	3.07	707240-3X	706921X	706923X	706925X	72044-1X	71394-1X	71735-1X
610168-10	Standard	3.07	707240-3X	706921X	706923X	706925X	72044-1X	71394-1X	71735-1X
610168-11	Trac Lok	3.54	707240-6X	707147X	707148X	706926X	72044-1X	71394-1X	71735-1X
610168-12	Standard	3.54	707240-6X	706921X	706923X	706925X	72044-1X	71394-1X	71735-1X
610168-13	Standard	3.54	707240-6X	706921X	706923X	706925X	72044-1X	71394-1X	71735-1X
1983 F-150 Snow Plow									
610167-2	Standard	3.50	707240-5X	706921X	706923X	706925X	72044-1X	71394-1X	71735-1X
610167-4	Standard	3.54	707240-6X	706921X	706923X	706925X	72044-1X	71394-1X	71735-1X
1983 F-250 & F-350 HD									
610169-1	Standard	3.00	707240-2X	706921X	706923X	706925X	72045-1X	71396-1X	71739-1X
610169-2	Standard	3.54	707240-6X	706921X	706923X	706925X	72045-1X	71396-1X	71739-1X
610169-3	Standard	3.00	707240-2X	706921X	706923X	706925X	72045-1X	71396-1X	71739-1X
610169-4	Standard	3.54	707240-6X	706921X	706923X	706925X	72045-1X	71396-1X	71739-1X
610169-5	Standard	3.54	707240-6X	706921X	706923X	706925X	72045-1X	71396-1X	71739-1X
610169-6	Standard	4.09	707240-9X	706945X	706947X	706925X	72045-1X	71396-1X	71739-1X
610169-7	Trac Lok	3.54	707240-6X	707147X	707148X	706926X	72045-1X	71396-1X	71739-1X
1984 Bronco & F-150									
610178-1	Standard	3.07	707240-3X	706921X	706923X	706925X	72044-1X	71394-1X	72041-1X
610178-2	Standard	3.07	707240-3X	706921X	706923X	706925X	72044-1X	71394-1X	72041-1X
610178-3	Trac Lok	3.54	707240-6X	707147X	707148X	706926X	72044-1X	71394-1X	72041-1X
610178-4	Standard	3.54	707240-6X	706921X	706923X	706925X	72044-1X	71394-1X	72041-1X
610178-5	Standard	3.54	707240-6X	706921X	706923X	706925X	72044-1X	71394-1X	72041-1X
610178-9	Standard	3.07	707240-3X	706921X	706923X	706925X	72044-1X	71394-1X	72041-1X
610178-10	Standard	3.07	707240-3X	706921X	706923X	706925X	72044-1X	71394-1X	72041-1X
610178-11	Trac Lok	3.54	707240-6X	707147X	707148X	706926X	72044-1X	71394-1X	72041-1X
610178-12	Trac Lok	3.54	707240-6X	707147X	707148X	706926X	72044-1X	71394-1X	72041-1X
610178-13	Trac Lok	3.54	707240-6X	707147X	707148X	706926X	72044-1X	71394-1X	72041-1X

(7) See Ring Gear & Pinion Kits in XGI Catalog for ratio & tooth combinations.

(8) See Differential Case Assy Kits in XGI Catalog for spline data & ratios.

Ford Model 44 /216 IFS Front Axles

Bill of Material Table

Axle			Axle Kits				Shaft & Joint Assy.		
Bill of Material	Diff. Type	Ratio	Ring Gear & Pinion Kit ⁽⁷⁾	Differential			Right Hand Shaft Assy.	Left Hand Shaft Assy.	Shaft & Slip Yoke Assy.
				Case Assy. Kit ⁽⁸⁾	Case Kit	Inner Parts Kit			
1984 F-150 Snow Plow									
610177-1	Standard	3.54	707240-6X	706921X	706923X	706925X	72044-1X	71394-1X	72041-1X
610177-4	Standard	3.54	707240-6X	706921X	706923X	706925X	72044-1X	71394-1X	72041-1X
1984 F-250 & F-350 HD									
610179-1	Standard	3.54	707240-6X	706921X	706923X	706925X	72045-1X	71396-1X	72041-1X
610179-2	Standard	3.54	707240-6X	706921X	706923X	706925X	72045-1X	71396-1X	72041-1X
610179-3	Standard	3.54	707240-6X	706921X	706923X	706925X	72045-1X	71396-1X	72041-1X
610179-4	Standard	3.54	707240-6X	706921X	706923X	706925X	72045-1X	71396-1X	72041-1X
610179-5	Standard	3.54	707240-6X	706921X	706923X	706925X	72045-1X	71396-1X	72041-1X
610179-6	Standard	4.09	707240-9X	706945X	706947X	706925X	72045-1X	71396-1X	72041-1X
610179-7	Trac Lok	3.54	707240-6X	707147X	707148X	706926X	72045-1X	71396-1X	72041-1X
610179-8	Trac Lok	3.54	707240-6X	707147X	707148X	706926X	72045-1X	71396-1X	72041-1X
1984 1/2-85 Bronco & F-150									
610198-1	Standard	3.07	707240-3X	706921X	706923X	706925X	72044-1X	71394-1X	72041-1X
610198-2	Standard	3.07	707240-3X	706921X	706923X	706925X	72044-1X	71394-1X	72041-1X
610198-3	Trac Lok	3.54	707240-6X	707147X	707148X	706926X	72044-1X	71394-1X	72041-1X
610198-4	Standard	3.54	707240-6X	706921X	706923X	706925X	72044-1X	71394-1X	72041-1X
610198-5	Standard	3.54	707240-6X	706921X	706923X	706925X	72044-1X	71394-1X	72041-1X
610198-9	Standard	3.07	707240-3X	706921X	706923X	706925X	72044-1X	71394-1X	72041-1X
610198-10	Standard	3.07	707240-3X	706921X	706923X	706925X	72044-1X	71394-1X	72041-1X
610198-11	Trac Lok	3.54	707240-6X	707147X	707148X	706926X	72044-1X	71394-1X	72041-1X
610198-12	Standard	3.54	707240-6X	706921X	706923X	706925X	72044-1X	71394-1X	72041-1X
610198-13	Standard	3.54	707240-6X	706921X	706923X	706925X	72044-1X	71394-1X	72041-1X
610198-14	Standard	3.50	707240-5X	706921X	706923X	706925X	72044-1X	71394-1X	72041-1X
610198-15	Standard	3.50	707240-5X	706921X	706923X	706925X	72044-1X	71394-1X	72041-1X
610198-16	Trac Lok	3.50	707240-5X	707147X	707148X	706926X	72044-1X	71394-1X	72041-1X
610198-17	Standard	4.09	707240-9X	706945X	706947X	706925X	72044-1X	71394-1X	72041-1X
610198-18	Trac Lok	4.09	707240-9X	707199X	707193X	706926X	72044-1X	71394-1X	72041-1X
1984 1/2-85 F-150 Snow Plow									
610197-1	Standard	3.54	707240-6X	706921X	706923X	706925X	72044-1X	71394-1X	72041-1X
610197-4	Standard	3.54	707240-6X	706921X	706923X	706925X	72044-1X	71394-1X	72041-1X
610197-5	Standard	3.50	707240-5X	706921X	706923X	706925X	72044-1X	71394-1X	72041-1X
1984 1/2-85 F-250									
610199-1	Standard	3.54	707240-6X	706921X	706923X	706925X	72045-1X	71396-1X	72041-1X
610199-2	Standard	3.54	707240-6X	706921X	706923X	706925X	72045-1X	71396-1X	72041-1X
610199-3	Standard	3.54	707240-6X	706921X	706923X	706925X	72045-1X	71396-1X	72041-1X
610199-4	Standard	3.54	707240-6X	706921X	706923X	706925X	72045-1X	71396-1X	72041-1X
610199-5	Standard	3.54	707240-6X	706921X	706923X	706925X	72045-1X	71396-1X	72041-1X
610199-6	Standard	4.09	707240-9X	706945X	706947X	706925X	72045-1X	71396-1X	72041-1X
610199-7	Trac Lok	3.54	707240-6X	707147X	707148X	706926X	72045-1X	71396-1X	72041-1X
610199-8	Standard	4.09	707240-9X	706945X	706947X	706925X	72045-1X	71396-1X	72041-1X
610199-9	Trac Lok	4.09	707240-9X	707199X	707193X	706926X	72045-1X	71396-1X	72041-1X
610199-10	Trac Lok	4.09	707240-9X	707199X	707193X	706926X	72045-1X	71396-1X	72041-1X
1985 F-250									
610229-1	Standard	3.54	707240-6X	706921X	706923X	706925X	72045-1X	71396-1X	72041-1X
610229-2	Standard	3.54	707240-6X	706921X	706923X	706925X	72045-1X	71396-1X	72041-1X
610229-3	Standard	3.54	707240-9X	706945X	706947X	706925X	72045-1X	71396-1X	72041-1X
610229-4	Trac Lok	3.54	707240-6X	707147X	707148X	706926X	72045-1X	71396-1X	72041-1X
610229-5	Standard	4.09	707240-9X	706945X	706947X	706925X	72045-1X	71396-1X	72041-1X
610229-6	Trac Lok	4.09	707240-9X	707199X	707193X	706926X	72045-1X	71396-1X	72041-1X

(7) See Ring Gear & Pinion Kits in XGI Catalog for ratio & tooth combinations.

(8) See Differential Case Assy Kits in XGI Catalog for spline data & ratios.

Ford Model 44 /216 IFS Front Axles

Bill of Material Table

Axle			Axle Kits				Shaft & Joint Assy.		
Bill of Material	Diff. Type	Ratio	Ring Gear & Pinion Kit ⁽⁷⁾	Differential			Right Hand Shaft Assy.	Left Hand Shaft Assy.	Shaft & Slip Yoke Assy.
				Case Assy. Kit ⁽⁸⁾	Case Kit	Inner Parts Kit			
1985 F-250 & F-350 HD									
610231-1	Standard	3.54	707240-6X	706921X	706923X	706925X	72045-1X	71396-1X	72041-1X
610231-2	Standard	3.54	707240-6X	706921X	706923X	706925X	72045-1X	71396-1X	72041-1X
610231-3	Standard	4.09	707240-9X	706945X	706947X	706925X	72045-1X	71396-1X	72041-1X
610231-4	Trac Lok	3.54	707240-6X	707147X	707148X	706926X	72045-1X	71396-1X	72041-1X
610231-5	Standard	4.09	707240-9X	706945X	706947X	706925X	72045-1X	71396-1X	72041-1X
610231-6	Trac Lok	4.09	707240-9X	707199X	707193X	706926X	72045-1X	71396-1X	72041-1X
1985 1/2 Bronco & F-150									
610241-1	Standard	3.07	707240-3X	706921X	706923X	706925X	72044-1X	71394-1X	72041-1X
610241-2	Trac Lok	3.54	707240-6X	707147X	707148X	706926X	72044-1X	71394-1X	72041-1X
610241-3	Standard	3.54	707240-6X	706921X	706923X	706925X	72044-1X	71394-1X	72041-1X
610241-4	Standard	3.50	707240-5X	706921X	706923X	706925X	72044-1X	71394-1X	72041-1X
610241-5	Trac Lok	3.50	707240-5X	707147X	707148X	706926X	72044-1X	71394-1X	72041-1X
610241-6	Standard	4.09	707240-9X	706945X	706947X	706925X	72044-1X	71394-1X	72041-1X
610241-7	Trac Lok	4.09	707240-9X	707199X	706982X	706926X	72044-1X	71394-1X	72041-1X
1985 1/2 F-150 Snow Plow									
610242-1	Standard	3.54	707240-6X	706921X	706923X	706925X	72044-1X	71394-1X	72041-1X
610242-2	Standard	3.50	707240-5X	706921X	706923X	706925X	72044-1X	71394-1X	72041-1X
1985 1/2 F-250									
610243-1	Standard	3.54	707240-6X	706921X	706923X	706925X	72045-1X	71396-1X	72041-1X
610243-2	Standard	3.54	707240-6X	706921X	706923X	706925X	72045-1X	71396-1X	72041-1X
610243-3	Standard	4.09	707240-9X	706945X	706947X	706925X	72045-1X	71396-1X	72041-1X
610243-4	Trac Lok	3.54	707240-6X	707147X	707148X	706926X	72045-1X	71396-1X	72041-1X
610243-5	Standard	4.09	707240-9X	706945X	706947X	706925X	72045-1X	71396-1X	72041-1X
610243-6	Trac Lok	4.09	707240-9X	707199X	706982X	706926X	72045-1X	71396-1X	72041-1X
1986 Bronco & F-150									
610261-1	Standard	3.07	707240-3X	706921X	706923X	706925X	72044-1X	71394-1X	72041-1X
610261-2	Standard	3.54	707240-6X	706921X	706923X	706925X	72044-1X	71394-1X	72041-1X
610261-3	Standard	3.50	707240-5X	706921X	706923X	706925X	72044-1X	71394-1X	72041-1X
610262-1	Standard	3.07	707240-3X	706921X	706923X	706925X	72044-1X	71394-1X	72041-1X
610262-2	Trac Lok	3.54	707240-6X	707147X	707148X	706926X	72044-1X	71394-1X	72041-1X
610262-3	Standard	3.54	707240-6X	706921X	706923X	706925X	72044-1X	71394-1X	72041-1X
610262-4	Standard	3.50	707240-5X	706921X	706923X	706925X	72044-1X	71394-1X	72041-1X
610262-5	Trac Lok	3.50	707240-5X	707147X	707148X	706926X	72044-1X	71394-1X	72041-1X
610262-6	Standard	4.09	707240-9X	706945X	706947X	706925X	72044-1X	71394-1X	72041-1X
610262-7	Trac Lok	4.09	707240-9X	707199X	706982X	706926X	72044-1X	71394-1X	72041-1X
1986 F-150 Snow Plow									
610263-1	Standard	3.54	707240-6X	706921X	706923X	706925X	72044-1X	71394-1X	72041-1X
610263-2	Standard	3.50	707240-5X	706921X	706923X	706925X	72044-1X	71394-1X	72041-1X
1986-87 F-250									
610264-1	Standard	3.54	707240-6X	706921X	706923X	706925X	72045-1X	71396-1X	72041-1X
610264-2	Standard	3.54	707240-6X	706921X	706932X	706925X	72045-1X	71396-1X	72041-1X
610264-3	Standard	4.09	707240-9X	706945X	706947X	706925X	72045-1X	71396-1X	72041-1X
610264-4	Trac Lok	3.54	707240-6X	707147X	707148X	706926X	72045-1X	71396-1X	72041-1X
610264-5	Standard	4.09	707240-9X	706945X	706947X	706925X	72045-1X	71396-1X	72041-1X
610264-6	Trac Lok	4.09	707240-9X	707199X	707193X	706926X	72045-1X	71396-1X	72041-1X

(7) See Ring Gear & Pinion Kits in XGI Catalog for ratio & tooth combinations.

(8) See Differential Case Assy Kits in XGI Catalog for spline data & ratios.

Ford Model 44 /216 IFS Front Axles

Bill of Material Table

Axle			Axle Kits				Shaft & Joint Assy.		
Bill of Material	Diff. Type	Ratio	Ring Gear & Pinion Kit ⁽⁷⁾	Differential			Right Hand Shaft Assy.	Left Hand Shaft Assy.	Shaft & Slip Yoke Assy.
				Case Assy. Kit ⁽⁸⁾	Case Kit	Inner Parts Kit			
1987-88 Bronco & F-150									
610267-1	Standard	3.07	707240-3X	706921X	706923X	706925X	73111-1X	73112-1X	72041-1X
610267-2	Trac Lok	3.54	707240-6X	707147X	707148X	706926X	73111-1X	73112-1X	72041-1X
610267-3	Standard	3.54	707240-6X	706921X	706923X	706925X	73111-1X	73112-1X	72041-1X
610267-4	Standard	3.50	706920-5X	706921X	706923X	706925X	73111-1X	73112-1X	72041-1X
610267-6	Standard	4.09	707240-9X	706945X	706947X	706925X	73111-1X	73112-1X	72041-1X
610268-1	Standard	3.07	707240-3X	706921X	706923X	706925X	72044-1X	71394-1X	72041-1X
610268-2	Standard	3.54	707240-6X	706921X	706923X	706925X	72044-1X	71394-1X	72041-1X
1987-88 F-150 Snow Plow									
610266-1	Standard	3.54	707240-6X	706921X	706923X	706925X	73111-1X	73112-1X	72041-1X
610266-2	Standard	3.50	707240-5X	706921X	706923X	706925X	73111-1X	73112-1X	72041-1X
1988 F-250									
610306-1	Standard	3.54	707240-6X	706921X	706923X	706925X	72045-1X	71396-1X	72041-1X
610306-2	Standard	4.09	707240-9X	706945X	706947X	706925X	72045-1X	71396-1X	72041-1X
1988 1/2 F-150 Snow Plow, Bronco									
610309-1	Standard	3.07	707240-3X	706921X	706923X	706925X	73111-1X	73112-1X	72041-1X
610309-2	Trac Lok	3.54	707240-6X	707147X	707148X	707149X	73111-1X	73112-1X	72041-1X
610309-3	Standard	3.54	707240-6X	706921X	706923X	706925X	73111-1X	73112-1X	72041-1X
610309-4	Standard	4.09	707240-9X	706945X	706947X	706925X	73111-1X	73112-1X	72041-1X
1988 1/2-91 Bronco & F-150									
610311-1	Standard	3.54	707240-6X	706921X	706923X	706925X	72045-1X	71396-1X	72041-1X
610311-2	Standard	4.09	707240-9X	706945X	706947X	706925X	72045-1X	71396-1X	72041-1X
1988 1/2-92 Bronco & F-150									
610310-1	Standard	3.07	707240-3X	706921X	706923X	706925X	72044-1X	71394-1X	72041-1X
610310-2	Standard	3.54	707240-6X	706921X	706923X	706925X	72044-1X	71394-1X	72041-1X
610335-1	Standard	3.07	707240-3X	706921X	706923X	706925X	72044-1X	71394-1X	72041-1X
610335-2	Trac Lok	3.54	707240-6X	707147X	707148X	707149X	72044-1X	71394-1X	72041-1X
610335-3	Standard	3.54	707240-6X	706921X	706923X	706925X	72044-1X	71394-1X	72041-1X
610335-4	Standard	4.09	707240-9X	706945X	706947X	706925X	72044-1X	71394-1X	72041-1X
1992 1/2 Bronco & F-150									
610407-1	Standard	3.07	707283-3X	706921X	706923X	706925X	72044-1X	71394-1X	72041-1X
610407-3	Standard	3.54	707283-6X	706921X	706923X	706925X	72044-1X	71394-1X	72041-1X
610408-1	Standard	3.07	707283-3X	706921X	706923X	706925X	72044-1X	71394-1X	72041-1X
610408-3	Standard	3.54	707283-6X	706921X	706923X	706925X	72044-1X	71394-1X	72041-1X
610408-4	Standard	4.09	707283-9X	706945X	706947X	706925X	72044-1X	71394-1X	72041-1X
610408-6	Trac Lok	3.54	707283-6X	707147X	707148X	707149X	72044-1X	71394-1X	72041-1X
610408-7	Standard	3.07	707283-3X	706921X	706923X	706925X	72044-1X	71394-1X	72041-1X
610408-9	Standard	3.54	707283-6X	706921X	706923X	706925X	72044-1X	71394-1X	72041-1X
1993-93 1/2 Bronco - ABS									
610411-1	Standard	3.07	707283-3X	706921X	706923X	706925X	74820-1X	74813-1X	72041-1X
610411-2	Trac Lok	3.54	707283-6X	707147X	707148X	707149X	74820-1X	74813-1X	72041-1X
610411-3	Standard	3.54	707283-6X	706921X	706923X	706925X	74820-1X	74813-1X	72041-1X
610411-4	Standard	4.09	707283-9X	706945X	706947X	706925X	74820-1X	74813-1X	72041-1X
610411-7	Standard	3.07	707283-3X	706921X	706923X	706925X	74820-1X	74813-1X	72041-1X
610411-8	Standard	3.54	707283-6X	706921X	706923X	706925X	74820-1X	74813-1X	72041-1X

(7) See Ring Gear & Pinion Kits in XGI Catalog for ratio & tooth combinations.

(8) See Differential Case Assy Kits in XGI Catalog for spline data & ratios.

Ford Model 44 /216 IFS Front Axles

Bill of Material Table

Axle			Axle Kits				Shaft & Joint Assy.		
Bill of Material	Diff. Type	Ratio	Ring Gear & Pinion Kit ⁽⁷⁾	Differential			Right Hand Shaft Assy.	Left Hand Shaft Assy.	Shaft & Slip Yoke Assy.
				Case Assy. Kit ⁽⁸⁾	Case Kit	Inner Parts Kit			
1993-93 1/2 Bronco & F-150									
610414-1	Standard	3.07	707283-3X	706921X	706923X	706925X	74820-1X	74813-1X	72041-1X
610414-3	Standard	3.54	707283-6X	706921X	706923X	706925X	74820-1X	74813-1X	72041-1X
610414-4	Standard	4.09	707283-9X	706945X	706947X	706925X	74820-1X	74813-1X	72041-1X
610414-6	Trac Lok	3.54	707283-6X	707147X	707148X	707149X	74820-1X	74813-1X	72041-1X
610414-7	Standard	3.07	707283-3X	706921X	706923X	706925X	74820-1X	74813-1X	72041-1X
610414-9	Standard	3.54	707283-6X	706921X	706923X	706925X	74820-1X	74813-1X	72041-1X
1994 Bronco - ABS									
610443-3	Standard	3.54	707283-6X	706921X	706923X	706925X	74820-1X	74813-1X	72041-1X
610443-9	Standard	3.54	707283-6X	706921X	706923X	706925X	74820-1X	74813-1X	72041-1X
610447-3	Standard	3.54	707283-6X	706921X	706923X	706925X	74820-1X	74813-1X	72041-1X
610447-9	Standard	3.54	707283-6X	706921X	706923X	706925X	74820-1X	74813-1X	72041-1X
610447-10	Standard	3.54	707283-6X	706921X	706923X	706925X	74820-1X	74813-1X	72041-1X
1994 Bronco & F-150									
610444-1	Standard	3.07	707283-3X	706921X	706923X	706925X	74820-1X	74813-1X	72041-1X
610444-2	Standard	3.31	707283-4X	706921X	706923X	706925X	74820-1X	74813-1X	72041-1X
610444-3	Standard	3.54	707283-6X	706921X	706923X	706925X	74820-1X	74813-1X	72041-1X
610444-4	Standard	4.09	707283-9X	706945X	706947X	706925X	74820-1X	74813-1X	72041-1X
610444-5	Trac Lok	3.31	707283-4X	707147X	707148X	707149X	74820-1X	74813-1X	72041-1X
610444-6	Trac Lok	3.54	707283-6X	707147X	707148X	707149X	74820-1X	74813-1X	72041-1X
610444-7	Standard	3.07	707283-3X	706921X	706923X	706925X	74820-1X	74813-1X	72041-1X
610444-8	Standard	3.31	707283-4X	706921X	706923X	706925X	74820-1X	74813-1X	72041-1X
610444-9	Standard	3.54	707283-6X	706921X	706923X	706925X	74820-1X	74813-1X	72041-1X
1995 Bronco & F-150									
610446-1	Standard	3.07	707283-3X	706921X	706923X	706925X	74820-1X	74813-1X	72041-1X
610446-2	Standard	3.31	707283-4X	706921X	706923X	706925X	74820-1X	74813-1X	72041-1X
610446-3	Standard	3.54	707283-6X	706921X	706923X	706925X	74820-1X	74813-1X	72041-1X
610446-5	Trac Lok	3.31	707283-4X	707147X	707148X	707149X	74820-1X	74813-1X	72041-1X
610446-6	Trac Lok	3.54	707283-6X	707147X	707148X	707149X	74820-1X	74813-1X	72041-1X
610446-10	Standard	3.07	707283-3X	706921X	706923X	706925X	74820-1X	74813-1X	72041-1X
610446-11	Standard	3.31	707283-4X	706921X	706923X	706925X	74820-1X	74813-1X	72041-1X
610446-12	Standard	3.54	707283-6X	706921X	706923X	706925X	74820-1X	74813-1X	72041-1X
1996 1/2 Bronco - ABS									
610608-1	Standard	3.54	707283-6X	707461X	706923X	706925X	74820-1X	74813-1X	72041-1X
610608-2	Standard	3.54	707283-6X	707461X	706923X	706925X	74820-1X	74813-1X	72041-1X
1996 1/2 Bronco & F-150									
610607-1	Standard	3.07	707283-3X	707461X	706923X	706925X	74820-1X	74813-1X	72041-1X
610607-2	Standard	3.31	707283-4X	707461X	706923X	706925X	74820-1X	74813-1X	72041-1X
610607-3	Standard	3.54	707283-6X	707461X	706923X	706925X	74820-1X	74813-1X	72041-1X
610607-4	Standard	4.09	707283-9X	706945X	706947X	706925X	74820-1X	74813-1X	72041-1X
610607-5	Trac Lok	3.31	707283-4X	707147X	707148X	707149X	74820-1X	74813-1X	72041-1X
610607-6	Trac Lok	3.54	707283-6X	707147X	707148X	707149X	74820-1X	74813-1X	72041-1X
610607-7	Standard	3.07	707283-3X	707461X	706923X	706925X	74820-1X	74813-1X	72041-1X
610607-8	Standard	3.31	707283-4X	707461X	706923X	706925X	74820-1X	74813-1X	72041-1X
610607-9	Standard	3.54	707283-6X	707461X	706923X	706925X	74820-1X	74813-1X	72041-1X

(7) See Ring Gear & Pinion Kits in XGI Catalog for ratio & tooth combinations.

(8) See Differential Case Assy Kits in XGI Catalog for spline data & ratios.

Ford Model 44 /216 IFS Front Axles Variable Parts Listing

Kits & Parts - Use With All Applications							
Description & Item Number (Refer to "Exploded View" at the front of this section)			Bills of Material				
			610062	610063	610146	610166	610167
1	Slinger Shim – Inner Pinion Bearing	5	30764	30764	30764	30764	30764
2	KIT – Inner Pinion Bearing	6	706031X	706031X	706031X	706031X	706031X
3	Baffle – Pinion Bearing	7	30765	30765	30765	30765	30765
4	Gear – Differential (std)	24	31487	31487	31487	31487	40194
5	Thrustwasher – Differential Gear (std)	27	32121	32121	32121	32121	32121
6	Slinger	33	36364	36364	36364	36364	36364
7	Oil Seal	34	38128	38128	38128	38128	38128
8	Spacer – Wheel Bearing Spindle	35	38106	38106	38106	38106	38106
9	Bolt – Hex	44	36326-1	36326-1	36326-1	36326-1	36326-1
10	Nut	45	500381-3	500381-3	500381-3	500381-3	500381-3
11	Stop Screw	46	31026-1	31026-1	31026-1	31026-1	31026-1
12	Seal – Needle Bearing	48	36361	36361	36361	36361	36361
13	Spindle	50	41928	41929	41929	41928	41928
14	KIT – Spindle Seal & Bearing	-	706527X	706527X	706527X	706527X	706527X
15	KIT – Spindle (33, 34, 35, 48, 49, 50)	-	707178X	707043X	707043X	707178X	707178X
16	Spindle Assembly (inc 48, 49, 50)	-	73182X	73183X	73183X	73182X	73182X
17	Lock Nut (qty 10)	51	35704	35704	35704	35704	35704
18	Oil Seal	52	40709	40709	40709	40709	40709
19	KIT – Inner Wheel Bearing	53	706110X	706690X	706690X	706110X	706110X
20	Nut & Pin Assembly	56	21588X	21588X	21588X	21588X	21588X
21	Lock Nut	57	36569	36569	39909	39909	39909
22	Spindle Nut	58	31139	31139	31139	31139	31139
23	Axle Shaft Retainer	59	—	—	—	—	—
24	Snap Ring	60	—	—	—	—	—
25	Snap Ring	61	620147	620147	620147	620147	620147
26	Snap Ring	62	620430	620430	620430	620430	620430
27	Screw – Socket Head (Hub Lok)	64	620432	45886	45886	45886	45886
28	KIT – Unit Bearing & Seal	-	700154	700154	700154	700154	706948X
29	Oil Seal	71	35938	35938	35938	35938	40773
30	Bearing	72	565909	565909	565909	565909	566121
31	Retainer – Oil Seal	N.I.	620435	620435	620435	620435	—
32	Retainer – Bearing Ring	N.I.	36121	36121	36121	36121	—
33	Wheel Bearing Retainer Assembly	84	—	—	—	—	—
34	PKG – Washer	N.I.	—	—	—	—	—

Ford Model 44 /216 IFS Front Axles Variable Parts Listing

Kits & Parts - Use With All Applications							
Description & Item Number (Refer to "Exploded View" at the front of this section)			Bills of Material				
			610168	610169	610177 610178	610179	610185
1	Slinger Shim – Inner Pinion Bearing	5	30764	30764	30764	30764	30764
2	KIT – Inner Pinion Bearing	6	706031X	706031X	706031X	706031X	706031X
3	Baffle – Pinion Bearing	7	30765	30765	30765	30765	30765
4	Gear – Differential (std)	24	40194	40194	40194	40194	31487
5	Thrustwasher – Differential Gear (std)	27	32121	32121	32121	32121	32121
6	Slinger	33	36364	36364	36364	36364	36364
7	Oil Seal	34	38128	38128	38128	38128	38128
8	Spacer – Wheel Bearing Spindle	35	38106	38106	38106	38106	38106
9	Bolt – Hex	44	36326-1	36326-1	36326-1	36326-1	36326-1
10	Nut	45	500381-3	500381-3	500381-3	500381-3	500381-3
11	Stop Screw	46	31026-1	31026-1	31026-1	31026-1	31026-1
12	Seal – Needle Bearing	48	36361	36361	36361	36361	36361
13	Spindle	50	41928	41929	41928	41929	41928
14	KIT – Spindle Seal & Bearing	-	706527X	706527X	706527X	706527X	706527X
15	KIT – Spindle (33, 34, 35, 48, 49, 50)	-	707178X	707043X	707178X	707043X	707178X
16	Spindle Assembly (inc 48, 49, 50)	-	73182X	73183X	73182X	73183X	73182X
17	Lock Nut (qty 10)	51	35704	35704	35704	35704	35704
18	Oil Seal	52	40709	40709	40709	40709	40709
19	KIT – Inner Wheel Bearing	53	706110X	706690X	706110X	706690X	706110X
20	Nut & Pin Assembly	56	21588X	21588X	21588X	21588X	21588X
21	Lock Nut	57	39909	39909	39909	39909	39909
22	Spindle Nut	58	31139	31139	31139	31139	31139
23	Axle Shaft Retainer	59	—	—	—	—	—
24	Snap Ring	60	—	—	—	—	—
25	Snap Ring	61	620147	620147	620147	620147	620147
26	Snap Ring	62	620430	620430	620430	620430	620430
27	Screw – Socket Head (Hub Lok)	64	—	45886	45886	45886	45886
28	KIT – Unit Bearing & Seal	-	706948X	706948X	706948X	706948X	700154
29	Oil Seal	71	40773	40773	40773	40773	35938
30	Bearing	72	566121	566121	566121	566121	565909
31	Retainer – Oil Seal	N.I.	—	—	—	—	620435
32	Retainer – Bearing Ring	N.I.	—	—	—	—	36121
33	Wheel Bearing Retainer Assembly	84	—	—	—	—	—
34	PKG – Washer	N.I.	—	—	—	—	—

(See next page for additional bills of material)

Ford Model 44 /216 IFS Front Axles Variable Parts Listing

Kits & Parts - Use With All Applications							
Description & Item Number (Refer to "Exploded View" at the front of this section)			Bills of Material				
			610197 610198	610199 610229 610231	610241 610242 610243	610261	610262 610263
1	Slinger Shim – Inner Pinion Bearing	5	30764	30764	30764	30764	30764
2	KIT – Inner Pinion Bearing	6	706031X	706031X	706031X	706031X	706031X
3	Baffle – Pinion Bearing	7	30765	30765	30765	30765	30765
4	Gear – Differential (std)	24	40194	40194	40194	40194	40194
5	Thrustwasher – Differential Gear (std)	27	32121	32121	32121	32121	32121
6	Slinger	33	36364	36364	36364	36364	36364
7	Oil Seal	34	38128	38128	38128	38128	38128
8	Spacer – Wheel Bearing Spindle	35	38106	38106	38106	38106	38106
9	Bolt – Hex	44	36326-1	36326-1	36326-1	36326-1	36326-1
10	Nut	45	500381-3	500381-3	500381-3	500381-3	500381-3
11	Stop Screw	46	31026-1	31026-1	31026-1	31026-1	31026-1
12	Seal – Needle Bearing	48	36361	36361	36361	36361	36361
13	Spindle	50	41928	41929	41929	41928	41928
14	KIT – Spindle Seal & Bearing	-	706971X	706971X	706971X	706971X	706971X
15	KIT – Spindle (33, 34, 35, 48, 49, 50)	-	707178X	707043X	707043X	707178X	707178X
16	Spindle Assembly (inc 48, 49, 50)	-	73182X	73183X	73182X	73182X	73182X
17	Lock Nut (qty 10)	51	35704	35704	35704	35704	35704
18	Oil Seal	52	40709	40709	40709	40709	40709
19	KIT – Inner Wheel Bearing	53	706110X	706690X	706110X	706110X	706110X
20	Nut & Pin Assembly	56	21588X	21588X	21588X	21588X	42390
21	Lock Nut	57	39909	39909	—	39909	—
22	Spindle Nut	58	31139	31139	—	31139	—
23	Axle Shaft Retainer	59	—	—	—	39907	—
24	Snap Ring	60	—	—	—	39908	—
25	Snap Ring	61	620147	620147	620147	—	620147
26	Snap Ring	62	620430	620430	620430	—	620430
27	Screw – Socket Head (Hub Lok)	64	45886	45886	45886	—	45886
28	KIT – Unit Bearing & Seal	-	706948X	706948X	706948X	706948X	706948X
29	Oil Seal	71	40773	40773	40773	40773	40773
30	Bearing	72	566121	566121	566121	566121	566121
31	Retainer – Oil Seal	N.I.	—	—	—	—	—
32	Retainer – Bearing Ring	N.I.	—	—	—	—	—
33	Wheel Bearing Retainer Assembly	84	—	—	—	—	—
34	PKG – Washer	N.I.	—	—	—	—	—

Ford Model 44 /216 IFS Front Axles Variable Parts Listing

Kits & Parts - Use With All Applications							
Description & Item Number (Refer to "Exploded View" at the front of this section)			Bills of Material				
			610264	610266	610267	610268	610306
1	Slinger Shim – Inner Pinion Bearing	5	30764	30764	30764	30764	30764
2	KIT – Inner Pinion Bearing	6	706031X	706031X	706031X	706031X	706031X
3	Baffle – Pinion Bearing	7	30765	30765	30765	30765	30765
4	Gear – Differential (std)	24	40194	40194	40194	40194	40194
5	Thrustwasher – Differential Gear (std)	27	32121	32121	32121	32121	32121
6	Slinger	33	36364	36364	36364	36364	36364
7	Oil Seal	34	38128	38128	38128	38128	38128
8	Spacer – Wheel Bearing Spindle	35	38106	38106	38106	38106	38106
9	Bolt – Hex	44	36326-1	36326-1	36326-1	36326-1	36326-1
10	Nut	45	500381-3	500381-3	500381-3	500381-3	500381-3
11	Stop Screw	46	31026-1	31026-1	31026-1	31026-1	31026-1
12	Seal – Needle Bearing	48	36361	36361	36361	36361	36361
13	Spindle	50	41929	41928	42348	41928	41929
14	KIT – Spindle Seal & Bearing	-	706971X	706971X	706971X	706971X	706971X
15	KIT – Spindle (33, 34, 35, 48, 49, 50)	-	707043X	707059X	707059X	707178X	707043X
16	Spindle Assembly (inc 48, 49, 50)	-	73183X	73110X	73110X	73182X	73183X
17	Lock Nut (qty 10)	51	35704	35704	35704	35704	35704
18	Oil Seal	52	40709	40709	40709	40709	40709
19	KIT – Inner Wheel Bearing	53	706690X	706110X	706074X	706110X	706690X
20	Nut & Pin Assembly	56	43167	43167	43167	21588X	43167
21	Lock Nut	57	—	—	—	39909	—
22	Spindle Nut	58	—	—	—	31139	—
23	Axle Shaft Retainer	59	—	39907	39907	39907	—
24	Snap Ring	60	—	39908	39908	39908	—
25	Snap Ring	61	620147	—	—	—	620147
26	Snap Ring	62	620430	—	—	—	620430
27	Screw – Socket Head (Hub Lok)	64	45886	45886	45886	—	45886
28	KIT – Unit Bearing & Seal	-	706948X	706948X	706948X	706948X	706948X
29	Oil Seal	71	40773	40773	40773	40773	40773
30	Bearing	72	566121	566121	566121	566121	566121
31	Retainer – Oil Seal	N.I.	—	—	—	—	—
32	Retainer – Bearing Ring	N.I.	—	—	—	—	—
33	Wheel Bearing Retainer Assembly	84	—	—	—	—	—
34	PKG – Washer	N.I.	—	—	—	—	—

(See next page for additional bills of material)

Ford Model 44 /216 IFS Front Axles Variable Parts Listing

Kits & Parts - Use With All Applications							
Description & Item Number (Refer to "Exploded View" at the front of this section)			Bills of Material				
			610309	610310	610311	610335	610407
1	Slinger Shim – Inner Pinion Bearing	5	30764	30764	30764	30764	—
2	KIT – Inner Pinion Bearing	6	706031X	706031X	706031X	706031X	706015X
3	Baffle – Pinion Bearing	7	30765	30765	30765	30765	32349
4	Gear – Differential (std)	24	40194	40194	40194	40194	40194
5	Thrustwasher – Differential Gear (std)	27	32121	32121	32121	32121	40196
6	Slinger	33	36364	36364	36364	36364	36364
7	Oil Seal	34	38128	38128	38128	38128	38128
8	Spacer – Wheel Bearing Spindle	35	38106	38106	38106	38106	38106
9	Bolt – Hex	44	36326-1	36326-1	36326-1	36326-1	36326-1
10	Nut	45	500381-3	500381-3	500381-3	500381-3	500381-3
11	Stop Screw	46	31026-1	31026-1	31026-1	31026-1	31026-1
12	Seal – Needle Bearing	48	36361	36361	36361	36361	36361
13	Spindle	50	42348	41928	41929	41928	41928
14	KIT – Spindle Seal & Bearing	-	706971X	706971X	706971X	706971X	706971X
15	KIT – Spindle (33, 34, 35, 48, 49, 50)	-	707059X	707178X	707043X	707178X	707178X
16	Spindle Assembly (inc 48, 49, 50)	-	73110X	73182X	73183X	73182X	73182X
17	Lock Nut (qty 10)	51	35704	35704	35704	35704	35704
18	Oil Seal	52	40709	40709	40709	40709	40709
19	KIT – Inner Wheel Bearing	53	706074X	706110X	706690X	706110X	706110X
20	Nut & Pin Assembly	56	43167	21588X	43167	43167	21588X
21	Lock Nut	57	—	39909	—	—	39909
22	Spindle Nut	58	—	31139	—	—	31139
23	Axle Shaft Retainer	59	39907	39907	—	—	39907
24	Snap Ring	60	39908	39908	—	—	39908
25	Snap Ring	61	—	—	620147	620147	—
26	Snap Ring	62	—	—	620430	620430	—
27	Screw – Socket Head (Hub Lok)	64	45886	—	45886	45886	—
28	KIT – Unit Bearing & Seal	-	706948X	706948X	706948X	706948X	706948X
29	Oil Seal	71	40773	40773	40773	40773	40773
30	Bearing	72	566121	566121	566121	566121	566121
31	Retainer – Oil Seal	N.I.	—	—	—	—	—
32	Retainer – Bearing Ring	N.I.	—	—	—	—	—
33	Wheel Bearing Retainer Assembly	84	—	—	—	—	—
34	PKG – Washer	N.I.	—	—	—	—	—

Ford Model 44 /216 IFS Front Axles Variable Parts Listing

Kits & Parts - Use With All Applications							
Description & Item Number (Refer to "Exploded View" at the front of this section)			Bills of Material				
			610408	610411	610414	610443	610444
1	Slinger Shim – Inner Pinion Bearing	5	—	—	—	—	—
2	KIT – Inner Pinion Bearing	6	706015X	706015X	706015X	706015X	706015X
3	Baffle – Pinion Bearing	7	32349	32349	32349	32349	32349
4	Gear – Differential (std)	24	40194	40194	40194	40194	40194
5	Thrustwasher – Differential Gear (std)	27	40196	40196	40196	40196	40196
6	Slinger	33	36364	—	—	—	—
7	Oil Seal	34	38128	50492	50492	50492	50492
8	Spacer – Wheel Bearing Spindle	35	38106	—	—	—	—
9	Bolt – Hex	44	36326-1	44630-1	44630-1	44630-1	44630-1
10	Nut	45	500381-3	—	—	—	—
11	Stop Screw	46	31026-1	—	—	—	—
12	Seal – Needle Bearing	48	36361	45651	45651	45651	45651
13	Spindle	50	41928	44610	44706	44610	44706
14	KIT – Spindle Seal & Bearing	-	706971X	707316X	707316X	707316X	707316X
15	KIT – Spindle (33, 34, 35, 48, 49, 50)	-	707178X	—	707373X	—	707373X
16	Spindle Assembly (inc 48, 49, 50)	-	73182X	74811X	74812X	74811X	74812X
17	Lock Nut (qty 10)	51	35704	36805	36805	36805	36805
18	Oil Seal	52	40709	40709	40709	40709	40709
19	KIT – Inner Wheel Bearing	53	706110X	706110X	706110X	706110X	706110X
20	Nut & Pin Assembly	56	—	—	—	—	—
21	Lock Nut	57	—	—	—	—	—
22	Spindle Nut	58	—	—	—	—	—
23	Axle Shaft Retainer	59	—	—	—	—	—
24	Snap Ring	60	—	—	—	—	—
25	Snap Ring	61	620147	620147	620147	620147	620147
26	Snap Ring	62	620430	620430	620430	620430	620430
27	Screw – Socket Head (Hub Lok)	64	45886	45886	45886	45886	45886
28	KIT – Unit Bearing & Seal	-	706948X	706948X	706948X	706948X	706948X
29	Oil Seal	71	40773	40773	40773	40773	40773
30	Bearing	72	566121	566121	566121	566121	566121
31	Retainer – Oil Seal	N.I.	—	—	—	—	—
32	Retainer – Bearing Ring	N.I.	—	—	—	—	—
33	Wheel Bearing Retainer Assembly	84	43167	43167	43167	43167	43167
34	PKG – Washer	N.I.	—	—	—	—	—

(See next page for additional bills of material)

Ford Model 44 /216 IFS Front Axles Variable Parts Listing

Kits & Parts - Use With All Applications						
Description & Item Number (Refer to "Exploded View" at the front of this section)			Bills of Material			
			610446	610447	610607	610608
1	Slinger Shim – Inner Pinion Bearing	5	—	—	—	—
2	KIT – Inner Pinion Bearing	6	706015X	706015X	706015X	706015X
3	Baffle – Pinion Bearing	7	32349	32349	32349	32349
4	Gear – Differential (std)	24	40194	40194	40194	40194
5	Thrustwasher – Differential Gear (std)	27	40196	40196	40196	40196
6	Slinger	33	—	—	—	—
7	Seal – Oil	34	50492	50492	50492	50492
8	Spacer – Wheel Bearing Spindle	35	—	—	—	—
9	Bolt – Hex	44	44630-1	44630-1	44630-1	46630-1
10	Nut	45	—	—	—	—
11	Stop Screw	46	—	—	—	—
12	Seal – Needle Bearing	48	45651	45651	45651	45651
13	Spindle	50	46319	46320	46319	46320
14	KIT – Spindle Seal & Bearing	-	707316X	707316X	707316X	707316X
15	KIT – Spindle (33, 34, 35, 48, 49, 50)	-	—	—	—	—
16	Spindle Assembly (inc 48, 49, 50)	-	75303X	75304X	75303X	75304X
17	Lock Nut (qty 10)	51	36805	36805	36805	36805
18	Seal – Oil	52	76267X	76267X	76267X	76267X
19	KIT – Inner Wheel Bearing	53	706110X	706110X	706110X	706110X
20	Nut & Pin Assembly	56	21588X	—	21588X	21588X
21	Lock Nut	57	39909	—	39909	39909
22	Spindle Nut	58	31139	—	31139	31139
23	Axle Shaft Retainer	59	—	—	—	—
24	Snap Ring	60	39908	—	39908	39908
25	Snap Ring	61	—	—	—	—
26	Snap Ring	62	620430	620430	620430	620430
27	Screw – Socket Head (Hub Lok)	64	46481	45886	46481	46481
28	KIT – Unit Bearing & Seal	-	706948X	706948X	706948X	706948X
29	Oil Seal	71	40773	40773	40773	40773
30	Bearing	72	566121	566121	566121	566121
31	Retainer – Oil Seal	N.I.	—	—	—	—
32	Retainer – Bearing Ring	N.I.	—	—	—	—
33	Wheel Bearing Retainer Assembly	84	—	—	—	—
34	PKG – Washer	N.I.	701131X	—	701131X	701131X