

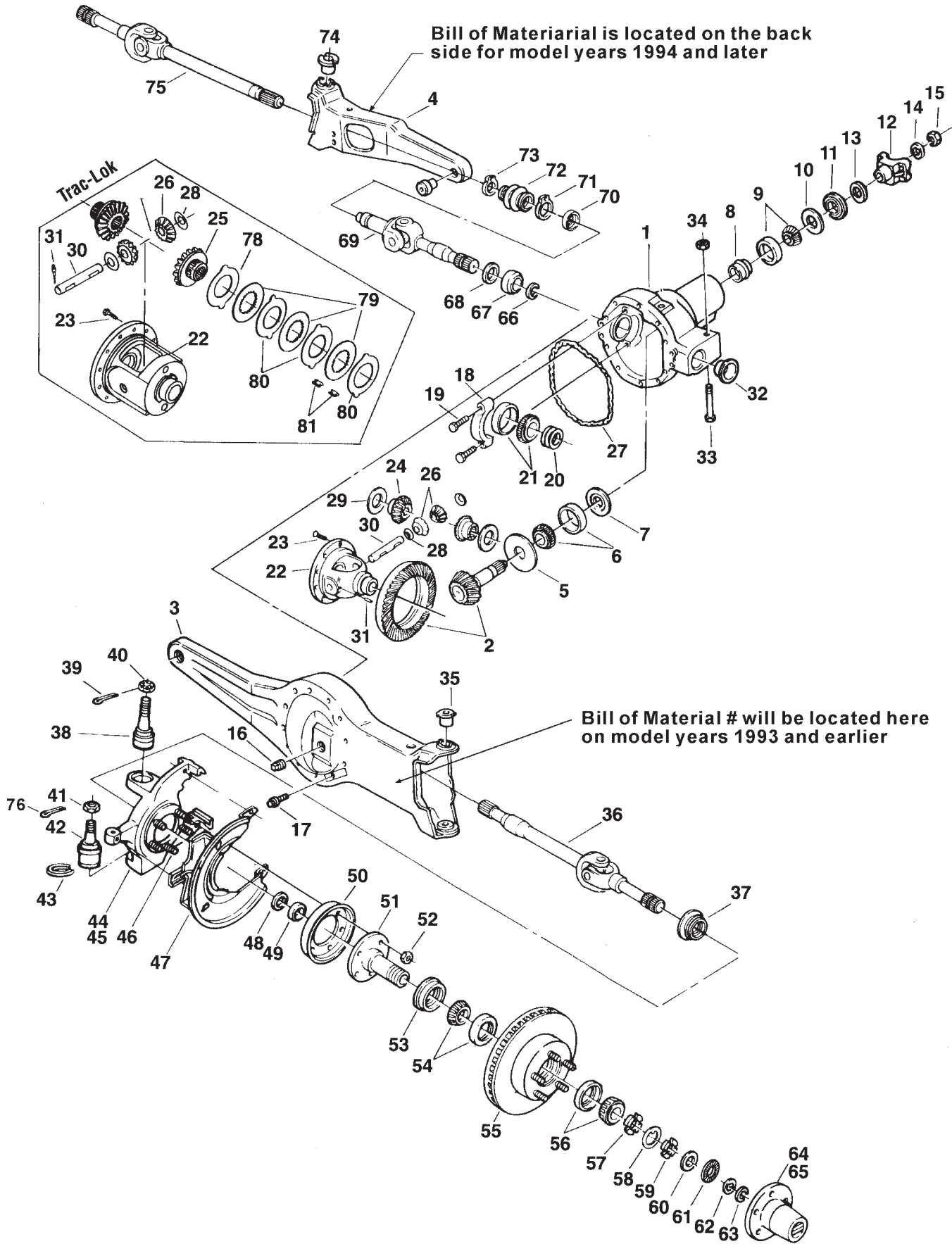
Ford 1983-1997

Model 28 /174 IFS Front Axles for

**Bronco II
Ranger**

Ford Model 28 /174 IFS Front Axles

Exploded View



Ford Model 28 /174 IFS Front Axles

Parts Listing

ITEM NO.	PART NUMBER	DESCRIPTION	ITEM NO.	PART NUMBER	DESCRIPTION
1	— ⁽³⁾	Housing – Axle Service	38	— ⁽²⁾	Socket – Upper
2	— ⁽¹⁾	Drive Pinion & Gear Assembly	39	— ⁽²⁾	Cotter Pin (Upper Socket)
3	— ⁽³⁾	LH Support Arm Assembly		— ⁽²⁾	Snap Ring (Upper Socket)
4	— ⁽³⁾	RH Support Arm Assembly	40	— ⁽²⁾	Nut – Slotted Upper
5	— ⁽⁴⁾	Inner Pinion Shims	41	— ⁽²⁾	Lock Nut (Lower Socket)
		(see shim packages)	42	— ⁽²⁾	Socket – Lower
	707081X	KIT – Pinion Bearing Shim	43	40547	Snap Ring
		(inc items 5, 8, 14, 15, 27, 66)	44	— ⁽³⁾	Right Knuckle
	707082X	PKG – Diff & Pinion Bearing Shim	45	— ⁽³⁾	Left Knuckle
		(inc items 5, 8, 14, 15, 20, 27, 66)	46	— ⁽²⁾	Bolt – Hex
6	706123X	KIT – Inner Pinion Bearing	47	— ⁽³⁾	Splash Shield
7	620879	Baffle – Pinion Bearing	48	— ⁽²⁾	Oil Seal – Spindle
8	620878-1	Collapsible Spacer	49	— ⁽²⁾	Bearing Assembly – Spindle
9	706894X	KIT – Outer Pinion Bearing	50	— ⁽²⁾	Brake Dust Shield
10	36714	Slinger – Outer Pinion Bearing	51	— ⁽²⁾	Spindle
11	40554	Seal – Pinion Oil	52	40107	Lock Nut (qty 10)
12	2-4-6131-1X	End Yoke Assembly (inc 13)	53	— ⁽²⁾	Oil Seal
13	41498	Slinger – End Yoke	54	— ⁽²⁾	KIT – Inner Wheel Bearing
14	30186	Washer – Pinion Nut	55	— ⁽³⁾	Hub & Rotor
15	30185	Pinion Nut	56	— ⁽²⁾	KIT – Outer Wheel Bearing
16	— ⁽²⁾	Fill Plug	57	— ⁽²⁾	Nut & Pin Assy (manual hub lock)
17	40326-1	Bolt – Differential Carrier	58	— ⁽²⁾	Lock Nut (manual hub lock)
18	— ⁽⁴⁾	Differential Bearing Cap	59	— ⁽²⁾	Spindle Nut (manual hub lock)
19	620752	Bolt – Differential Bearing Cap	60	— ⁽²⁾	Thrustwasher - Bearing
20	706896X	PKG – Diff Bearing Shim (inc 27,66)	61	— ⁽²⁾	Bearing – Needle Thrust
21	706893X	KIT – Differential Bearing	62	— ⁽²⁾	Spacer – Axle Shaft
22	— ⁽⁴⁾	Case – Differential		— ⁽²⁾	PKG – Thrustwasher
23	41221	Bolt – Drive Gear (qty 10)	63	— ⁽²⁾	Snap Ring
24	40380	Gear – Differential (std)	64	— ⁽²⁾	Manual Hub Lock Assembly
25	40382	Gear – Differential (t/l)	65	— ⁽³⁾	Automatic Hub Lock Assembly
26	32926	Pinion – Differential	66	42570	Snap Ring
27	38615	RTV Silicone Sealant	67	565987	Bearing Assembly
28	34096	Thrustwasher – Differential Pinion	68	40108	Oil Seal
29	620875	Thrustwasher – Differential Gear (std)	69	— ⁽¹⁾	Shaft & Slip Yoke Assy (inc 70)
30	32915	Shaft – Differential	70	— ⁽²⁾	Oil Seal
31	13449	Lock – Differential Shaft	71	— ⁽²⁾	Clamp – Keystone
32	40403	Oil Seal	72	— ⁽²⁾	Rubber Boot
33	40817-1	Pinch Bolt	73	— ⁽²⁾	Clamp – Keystone
34	40818	Nut – Pinch Bolt	74	— ⁽⁵⁾	Camber Bushing (RH)
35	— ⁽⁵⁾	Camber Bushing (LH)	75	— ⁽¹⁾	Right Shaft & Joint Assembly
36	— ⁽¹⁾	Left Shaft & Joint Assembly	76	— ⁽²⁾	Cotter Pin (Lower Socket)
37	— ⁽²⁾	Oil Seal		706892X	KIT – Differential Plate & Disc (t/l)
	— ⁽²⁾	KIT – Spindle Assembly	78	— ⁽⁴⁾	Plate – Differential Pressure (t/l)
		(inc items 37, 48, 49, 51)	79	— ⁽⁴⁾	Disc – Differential (t/l)
	— ⁽²⁾	Spindle Assembly	80	— ⁽⁴⁾	Plate – Differential (t/l)
	— ⁽²⁾	KIT – Spindle Seal & Bearing			(selective thickness)
		(inc items 37, 48, 49)	81	35676	Differential Clutch Retainer (t/l)

(1) See "Bill of Material Table" on next page

(2) See "Variable Parts Table" within this section

(3) Contact Vehicle Manufacturer

(4) Not Sold Separately

(5) See Camber/Casting Bushing Table in the back of the Ford section of this catalog

Ford Model 28 /174 IFS Front Axles

Bill of Material Table

Axle			Axle Kits				Shaft & Joint Assy.		
Bill of Material	Diff. Type	Ratio	Ring Gear & Pinion Kit ⁽⁷⁾	Differential			Right Hand Shaft Assy.	Left Hand Shaft Assy.	Shaft & Slip Yoke Assy.
				Case Assy. Kit ⁽⁸⁾	Case Kit	Inner Parts Kit			
1983-84 Ranger									
610171-1	Standard	3.08	707080-1X	706972X	706973X	706890X	71702-1X	71703-1X	71691X
610171-3	Standard	3.45	707080-2X	706972X	706973X	706890X	71702-1X	71703-1X	71691X
610171-5	Standard	3.73	707080-3X	706974X	706975X	706890X	71702-1X	71703-1X	71691X
610171-6	Trac Lok	3.73	707080-3X	706885X	706889X	706891X	71702-1X	71703-1X	71691X
610171-8	Standard	3.45	707080-2X	706972X	706973X	706890X	71702-1X	71703-1X	71691X
610171-9	Standard	3.73	707080-3X	706974X	706975X	706890X	71702-1X	71703-1X	71691X
610171-10	Standard	4.10	707080-4X	706974X	706975X	706890X	71702-1X	71703-1X	71691X
610171-11	Standard	3.08	707080-1X	706972X	706973X	706890X	71702-1X	71703-1X	71691X
610171-12	Standard	3.45	707080-2X	706972X	706973X	706890X	71702-1X	71703-1X	71691X
610171-13	Standard	3.73	707080-3X	706974X	706975X	706890X	71702-1X	71703-1X	71691X
610171-14	Standard	3.45	707080-2X	706972X	706973X	706890X	71702-1X	71703-1X	71691X
610171-15	Standard	3.73	707080-3X	706974X	706975X	706890X	71702-1X	71703-1X	71691X
610171-16	Standard	4.10	707080-4X	706974X	706975X	706890X	71702-1X	71703-1X	71691X
610171-17	Trac Lok	4.10	707080-4X	706885X	706889X	706891X	71702-1X	71703-1X	71691X
1984 1/2-85 Ranger/Bronco II									
610223-1	Trac Lok	3.73	707080-3X	706885X	706889X	706891X	71702-1X	71703-1X	71691X
610223-2	Standard	3.08	707080-1X	706972X	706973X	706890X	71702-1X	71703-1X	71691X
610223-3	Standard	3.45	707080-2X	706972X	706973X	706890X	71702-1X	71703-1X	71691X
610223-4	Standard	3.73	707080-3X	706974X	706975X	706890X	71702-1X	71703-1X	71691X
610223-5	Standard	3.45	707080-2X	706972X	706973X	706890X	71702-1X	71703-1X	71691X
610223-6	Standard	3.73	707080-3X	706974X	706975X	706890X	71702-1X	71703-1X	71691X
610223-7	Standard	4.10	707080-4X	706974X	706975X	706890X	71702-1X	71703-1X	71691X
610223-8	Trac Lok	4.10	707080-4X	706885X	706889X	706891X	71702-1X	71703-1X	71691X
610223-9	Standard	3.45	707080-2X	706972X	706973X	706890X	71702-1X	71703-1X	71691X
610223-10	Standard	3.73	707080-3X	706974X	706975X	706890X	71702-1X	71703-1X	71691X
610223-11	Standard	4.10	707080-4X	706974X	706975X	706890X	71702-1X	71703-1X	71691X
1986-87 Ranger/Bronco II									
610249-1	Trac Lok	3.73	707080-3X	706885X	706889X	706891X	71702-1X	71703-1X	71691X
610249-2	Standard	3.08	707080-1X	706972X	706973X	706890X	71702-1X	71703-1X	71691X
610249-3	Standard	3.45	707080-2X	706972X	706973X	706890X	71702-1X	71703-1X	71691X
610249-4	Standard	3.73	707080-3X	706974X	706975X	706890X	71702-1X	71703-1X	71691X
610249-5	Standard	4.10	707080-4X	706974X	706975X	706890X	71702-1X	71703-1X	71691X
610249-6	Trac Lok	4.10	707080-4X	706885X	706889X	706891X	71702-1X	71703-1X	71691X
610249-7	Standard	3.45	707080-2X	706972X	706973X	706890X	71702-1X	71703-1X	71691X
610249-8	Standard	3.73	707080-3X	706974X	706975X	706890X	71702-1X	71703-1X	71691X
610249-9	Standard	4.10	707080-4X	706974X	706975X	706890X	71702-1X	71703-1X	71691X
1987 1/2 Ranger/Bronco II									
610298-3	Standard	3.45	707080-2X	706972X	706973X	706890X	71702-1X	71703-1X	71691X
610298-4	Standard	3.73	707080-3X	706974X	706975X	706890X	71702-1X	71703-1X	71691X
610298-5	Standard	4.10	707080-4X	706974X	706975X	706890X	71702-1X	71703-1X	71691X
610298-7	Standard	3.45	707080-2X	706972X	706973X	706890X	71702-1X	71703-1X	71691X
610298-8	Standard	3.73	707080-3X	706974X	706975X	706890X	71702-1X	71703-1X	71691X
610298-9	Standard	4.10	707080-4X	706974X	706975X	706890X	71702-1X	71703-1X	71691X

(7) See Ring Gear & Pinion Kits in XGI Catalog for ratio & tooth combinations.

(8) See Differential Case Assy Kits in XGI Catalog for spline data & ratios.

Ford Model 28 /174 IFS Front Axles Bill of Material Table

Axle			Axle Kits				Shaft & Joint Assy.		
Bill of Material	Diff. Type	Ratio	Ring Gear & Pinion Kit ⁽⁷⁾	Differential			Right Hand Shaft Assy.	Left Hand Shaft Assy.	Shaft & Slip Yoke Assy.
				Case Assy. Kit ⁽⁸⁾	Case Kit	Inner Parts Kit			
1988-89 Ranger/Bronco II									
610307-1	Standard	3.45	707080-2X	706972X	706973X	706890X	71702-1X	71703-1X	71691X
610307-2	Standard	3.73	707080-3X	706974X	706975X	706890X	71702-1X	71703-1X	71691X
610307-3	Standard	4.10	707080-4X	706974X	706975X	706890X	71702-1X	71703-1X	71691X
610307-4	Standard	3.45	707080-2X	706972X	706973X	706890X	71702-1X	71703-1X	71691X
610307-5	Standard	3.73	707080-3X	706974X	706975X	706890X	71702-1X	71703-1X	71691X
610307-6	Standard	4.10	707080-4X	706974X	706975X	706890X	71702-1X	71703-1X	71691X
1993-94 1/2 Ranger									
610418-1	Standard	3.73	707080-3X	707270X	707272X	706890X	74931-1X	74933-1X	74414-1X
610418-2	Standard	4.10	707080-4X	707270X	707272X	706890X	74931-1X	74933-1X	74414-1X
610418-3	Standard	3.73	707080-3X	707270X	707272X	706890X	74931-1X	74933-1X	74414-1X
610418-4	Standard	4.10	707080-4X	707270X	707272X	706890X	74931-1X	74933-1X	74414-1X
610418-5	Standard	3.45	707080-2X	707271X	707273X	706890X	74931-1X	74933-1X	74414-1X
610418-6	Standard	3.45	707080-2X	707271X	707273X	706890X	74931-1X	74933-1X	74414-1X
1995-97 1/2 Ranger - ABS									
610484-4	Standard	3.73	707080-3X	707270X	707272X	706890X	75240-1X	75242-1X	74414-1X
610484-6	Standard	4.10	707080-4X	707270X	707272X	706890X	75240-1X	75242-1X	74414-1X
610484-7	Standard	3.73	707080-3X	707270X	707272X	706890X	75240-1X	75242-1X	74414-1X
610484-8	Standard	4.10	707080-4X	707270X	707272X	706890X	75240-1X	75242-1X	74414-1X
1997 Ranger - non ABS									
610653-1	Standard	3.73	707080-3X	707270X	707272X	706890X	75240-1X	75242-1X	74414-1X
610653-2	Standard	3.73	707080-3X	707270X	707272X	706890X	75240-1X	75242-1X	74414-1X
610653-3	Standard	4.10	707080-4X	707270X	707272X	706890X	75240-1X	75242-1X	74414-1X
610653-4	Standard	4.10	707080-4X	707270X	707272X	706890X	75240-1X	75242-1X	74414-1X

(7) See Ring Gear & Pinion Kits in XGI Catalog for ratio & tooth combinations.

(8) See Differential Case Assy Kits in XGI Catalog for spline data & ratios.

Ford Model 28 /174 IFS Front Axles Variable Parts Listing

Kits & Parts - Use With All Applications							
Description & Item Number (Refer to "Exploded View" at the front of this section)			Bills of Material				
			610171	610223 610249 610298 610307	610418	610484	610653
1	Fill Plug	16	36472	36924-2	36472	36472	36472
2	Oil Seal	37	40684	40684	50492	50492	50492
3	KIT – Spindle Assembly	-	706901X	706901X	—	—	—
4	Spindle Assembly	-	71931X	71931X	74930X	75294X	74930X
5	KIT – Spindle Seal & Bearing	-	706902X	706902X	707316X	707355X	707355X
6	Socket – Upper	38	40379-1	40379-1	43200	43200	43200
7	Cotter Pin (Upper Socket)	39	500024-5	500024-5	—	—	—
8	Snap Ring (Upper Socket)	-	—	—	43671	43671	43671
9	Nut – Slotted Upper	40	40060	40060	—	—	—
10	Lock Nut (Lower Socket)	41	40061	40061	40060	40060	40060
11	Socket – Lower	42	40379-2	40379-2	43269	43269	43269
12	Bolt – Hex	46	40072-1	40072-1	42775	42775	42775
13	Oil Seal (Spindle)	48	40109	40109	45651	45651	45651
14	Bearing Assembly – Spindle	49	565984	565984	550579	550759	550759
15	Brake Dust Shield	50	42940	42940	—	46197	46197
16	Spindle	51	40404	40404	44824	44608	44824
17	Oil Seal	53	40400	40400	40709	76137X	76137X
18	KIT – Inner Wheel Bearing	54	706111X	706111X	706110X	706110X	706110X
19	KIT – Outer Wheel Bearing	56	706111X	706111X	706110X	706110X	706110X
20	Nut & Pin Assy (manual hub lock)	57	71526X	71526X	74078X	74078X	74078X
21	Lock Nut (manual hub lock)	58	40075	40075	36569	36569	36569
22	Spindle Nut (manual hub lock)	59	40080	40080	43749	43749	43749
23	Thrustwasher – Bearing	60	40724	40724	—	—	—
24	Bearing – Needle Thrust	61	565997	565997	—	—	—
25	Spacer – Axle Shaft	62	40067	40067	42773	—	—
26	PKG – Thrustwasher	-	—	—	—	701128X	701128X
27	Snap Ring	63	40079	40079	42768	42768	42768
28	Manual Hub Lock Assembly	64	40476	40476	42767	42767	42767
29	Oil Seal	70	40346	40346	40930	40930	40930
30	Clamp – Keystone	71	40540-1	40540-1	40540-4	40540-4	40540-4
31	Rubber Boot	72	40465	40465	40929	40929	40929
32	Clamp – Keystone	73	40540-2	40540-2	40540-3	40540-3	40540-3
33	Cotter Pin (Lower Socket)	76	—	—	44500	44500	44500