

Dodge / Chrysler 1979-1993 1/2

Model 70 /267 Rear Axles for

CB-300 HD, CB-400

D-300, D-400, D-500,

D-600, D-700

M-300, M-400

M-500

MB-400

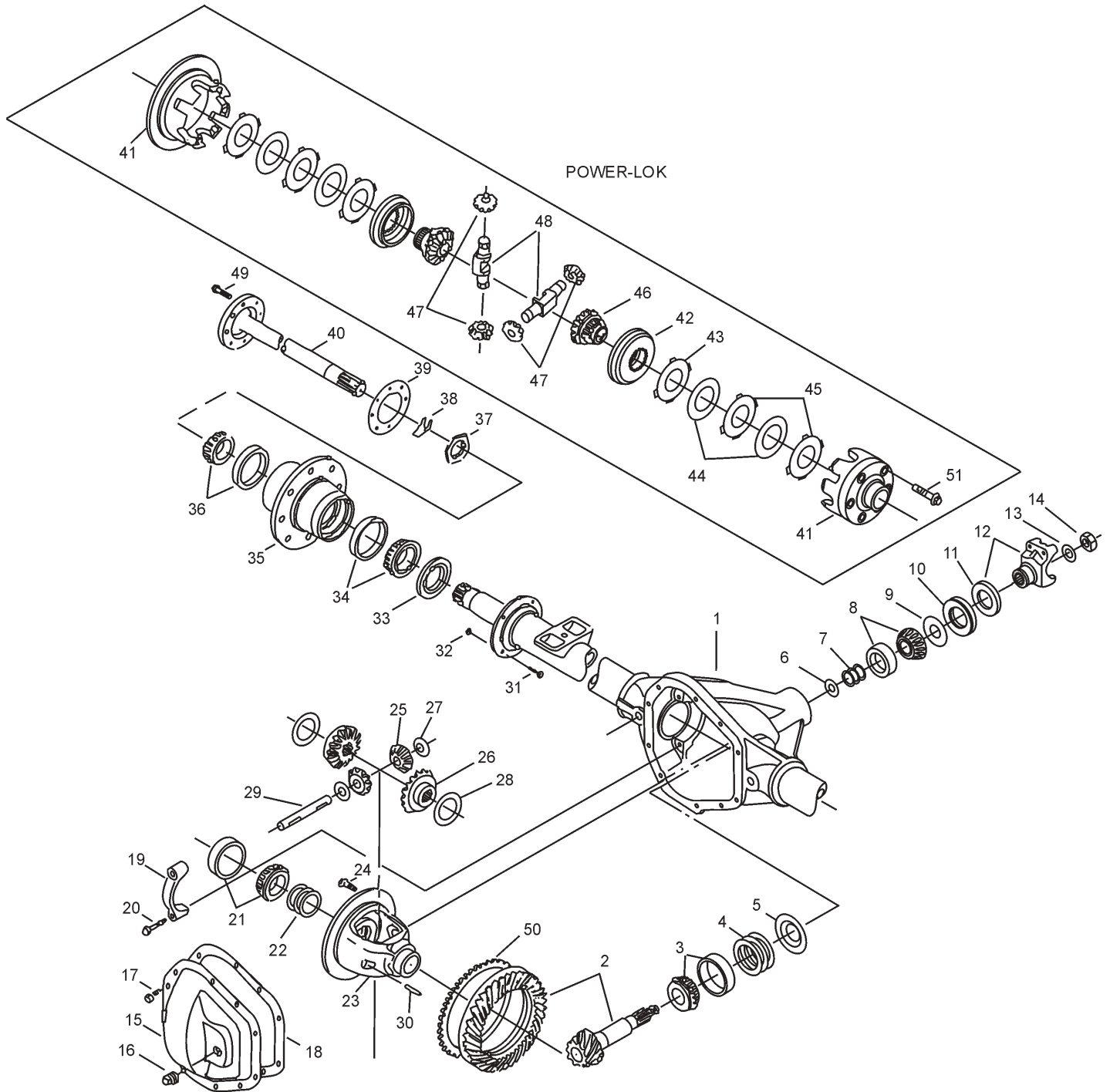
W-350

WM-300

Front Section Motor Home

Israel Aircraft

Dodge Model 70 /267 Rear Axles Exploded View



Shown: One Piece Case - Standard

Dodge Model 70 /267 Rear Axles Parts Listing

ITEM NO.	PART NUMBER	DESCRIPTION	ITEM NO.	PART NUMBER	DESCRIPTION
1	— ⁽³⁾	Housing – Axle Service	24	— ⁽²⁾	Bolt – Drive Gear (qty 12)
2	— ⁽¹⁾	Drive Pinion & Gear Assembly	25	35080	Pinion – Differential (std)
3	— ⁽²⁾	KIT – Inner Pinion Bearing	26	— ⁽²⁾	Gear – Differential (std)
	— ⁽²⁾	PKG – Diff & Pinion Bearing Shim (inc items 4, 7, 13, 14, 22)	27	35082	Thrustwasher – Diff Pinion (std)
	— ⁽²⁾	PKG – Pinion Bearing Shim (inc items 4, 7, 13, 14, 18)	28	34729	Thrustwasher – Diff Gear (std)
4	— ⁽⁴⁾	Inner Pinion Shims (see shim packages)	29	46640	Shaft – Differential (std)
5	— ⁽²⁾	Baffle – Pinion Bearing	30	47024	Lock – Differential Shaft
6	— ⁽²⁾	Flat Spacer – Outer Pinion	31	— ⁽³⁾	Bolt – Brake Mounting
7	— ⁽⁴⁾	Outer Pinion Shims (see shim packages)	32	— ⁽³⁾	Nut – Brake Mounting
8	706045X	KIT – Outer Pinion Bearing	33	39693	Seal – Hub
9	42737	Thrustwasher – Bearing	34	— ⁽³⁾	KIT – Inner Wheel Bearing
10	42449	Seal – Pinion Oil	35	— ⁽³⁾	Wheel Hub
11	34592	Slinger – End Yoke	36	— ⁽³⁾	KIT – Outer Wheel Bearing
12	— ⁽²⁾	End Yoke Assembly (inc 11)	37	39695	Spindle Nut
13	— ⁽²⁾	Washer – Pinion Nut	38	41373	Locking Wedge
14	30271	Pinion Nut	39	39697	Gasket – Axle Shaft
	— ⁽²⁾	KIT – Carrier Cover	40	— ⁽¹⁾	Shaft – Axle Flange Drive
15	— ⁽²⁾	Carrier Cover	41	— ⁽¹⁾	Case – Differential (p/l)
16	36472	Plug – Carrier Cover	42	42522	Ring – Differential Gear
17	34822	Bolt – Carrier Cover (qty 10)	43	707075X	KIT – Disc & Plate (p/l)
18	34687	Gasket – Carrier Cover	44	— ⁽⁴⁾	Plate – Differential
19	— ⁽³⁾	Differential Bearing Cap	45	— ⁽⁴⁾	Disc – Differential Dished
20	48632-1	Bolt – Differential Bearing Cap	46	— ⁽²⁾	Plate – Differential
21	— ⁽²⁾	KIT – Differential Bearing	47	31040	Gear – Differential (p/l)
22	— ⁽²⁾	PKG – Diff Bearing Shim (inc 18)	48	31041	Pinion – Differential (p/l)
23	— ⁽¹⁾	Case – Differential (std)	49	43124	Shaft – Differential (p/l)
			50	42929	Screw – Self Locking
			51	41610-1	Tone Ring (ABS)
					Flange Head Screw

- (1) See "Bill of Material Table" on next page
(2) See "Variable Parts Table" within this section
(3) Contact Vehicle Manufacturer
(4) Not Sold Separately

Dodge Model 70 /267 Rear Axles

Bill of Material Table

Axle			Axle Kits				Shaft & Joint Assy.	
Bill of Material	Diff. Type	Ratio	Ring Gear & Pinion Kit ⁽⁷⁾	Differential			Right Hand Shaft Assy.	Left Hand Shaft Assy.
				Case Assy. Kit ⁽⁸⁾	Case Kit	Inner Parts Kit		
1979 D-300/400 & W-300/400								
603695-1	Standard	4.56	706999-6X	706052X	706056X	706058X	35091-4	35091-4
603695-2	Standard	4.88	706999-8X	706052X	706056X	706058X	35091-4	35091-4
603695-3	Powr Lok	4.56	706999-6X	706050X	706054X	706057X	35091-4	35091-4
603695-4	Powr Lok	4.88	706999-8X	706050X	706054X	706057X	35091-4	35091-4
603695-5	Standard	4.10	706999-4X	706051X	706055X	706058X	35091-4	35091-4
603695-6	Powr Lok	4.10	706999-4X	706049X	706053X	706057X	35091-4	35091-4
603695-7	Standard	7.17	706999-14X	706052X	706056X	706058X	35091-4	35091-4
603695-8	Standard	5.86	706999-10X	706052X	706056X	706058X	35091-4	35091-4
603695-9	Standard	4.10	706999-4X	706051X	706055X	706058X	35091-4	35091-4
603695-10	Standard	4.88	706999-8X	706052X	706056X	706058X	35091-4	35091-4
603695-11	Powr Lok	4.88	706999-8X	706050X	706054X	706057X	35091-4	35091-4
603695-12	Standard	4.56	706999-6X	706052X	706056X	706058X	35091-4	35091-4
603695-13	Standard	4.88	706999-8X	706052X	706056X	706058X	35091-4	35091-4
603695-14	Powr Lok	4.56	706999-6X	706050X	706054X	706057X	35091-4	35091-4
603695-15	Powr Lok	4.88	706999-8X	706050X	706054X	706057X	35091-4	35091-4
603695-16	Standard	4.10	706999-4X	706051X	706055X	706058X	35091-4	35091-4
603695-17	Powr Lok	4.10	706999-4X	706049X	706053X	706057X	35091-4	35091-4
603695-18	Standard	7.17	706999-14X	706052X	706056X	706058X	35091-4	35091-4
603695-19	Standard	5.86	706999-10X	706052X	706056X	706058X	35091-4	35091-4
603695-22	Powr Lok	4.88	706999-8X	706050X	706054X	706057X	35091-4	35091-4
1979 D-300 Sweptline								
603696-1	Standard	4.10	706999-4X	706051X	706056X	706058X	35091-10	35091-10
603696-2	Powr Lok	4.10	706999-4X	706049X	706053X	706057X	35091-10	35091-10
603696-3	Standard	4.10	706999-4X	706051X	706055X	706058X	35091-10	35091-10
603696-4	Standard	4.10	706999-4X	706051X	706055X	706058X	35091-10	35091-10
603696-5	Powr Lok	4.10	706999-4X	706049X	706053X	706057X	35091-10	35091-10
603696-6	Standard	4.10	706999-4X	706051X	706055X	706058X	35091-10	35091-10
1979 M-300 & M-400 Motor Home (2 pc. std. case)								
603651-1	Standard	4.88	706999-8X	706082X	706084X	706058X	35091-1	35091-1
603651-2	Standard	4.56	706999-6X	706082X	706084X	706058X	35091-1	35091-1
603651-3	Standard	4.88	706999-8X	706082X	706084X	706058X	35091-1	35091-1
603651-4	Standard	4.56	706999-6X	706082X	706084X	706058X	35091-1	35091-1
1979 M-500 Motor Home								
603652-6	Standard	4.56	706999-6X	706065X	706069X	706058X	35103-1	35103-1
603652-8	Standard	4.56	706999-6X	706065X	706069X	706058X	35103-1	35103-1
603652-9	Powr Lok	5.86	706999-10X	706063X	706067X	706057X	35103-1	35103-1
603652-15	Standard	4.56	706999-6X	706065X	706069X	706058X	35103-1	35103-1
603652-17	Powr Lok	5.86	706999-10X	706063X	706067X	706057X	35103-1	35103-1
1979 WM 300								
603841-1	Standard	4.88	706999-8X	706052X	706056X	706058X	35091-19	35091-20

(7) See Ring Gear & Pinion Kits in XGI Catalog for ratio & tooth combinations.
 (8) See Differential Case Assy Kits in XGI Catalog for spline data & ratios.

Dodge Model 70 /267 Rear Axles

Bill of Material Table

Axle			Axle Kits				Shaft & Joint Assy.	
Bill of Material	Diff. Type	Ratio	Ring Gear & Pinion Kit ⁽⁷⁾	Differential			Right Hand Shaft Assy.	Left Hand Shaft Assy.
				Case Assy. Kit ⁽⁸⁾	Case Kit	Inner Parts Kit		
1979-83 P-300								
603653-1	Standard	4.10	706999-4X	706051X	706055X	706058X	35091-1	35091-1
603653-2	Standard	4.56	706999-6X	706052X	706056X	706058X	35091-1	35091-1
603653-3	Standard	4.88	706999-8X	706052X	706056X	706058X	35091-1	35091-1
603653-4	Standard	5.86	706999-10X	706052X	706056X	706058X	35091-1	35091-1
603653-5	Standard	4.10	706999-4X	706051X	706055X	706058X	35091-1	35091-1
603653-6	Standard	4.56	706999-6X	706052X	706056X	706058X	35091-1	35091-1
603653-7	Standard	4.88	706999-8X	706052X	706056X	706058X	35091-1	35091-1
603653-8	Standard	5.86	706999-10X	706052X	706056X	706058X	35091-1	35091-1
1979-83 WM-300								
603955-1	Standard	4.88	706999-8X	706052X	706056X	706058X	35091-19	35091-20
603955-2	Standard	4.88	706999-8X	706052X	706056X	706058X	35091-19	35091-20
1979-84 CB-300 HD & MB-400 HD								
603918-1	Standard	4.10	706999-4X	706051X	706055X	706058X	35091-11	35091-12
603918-3	Standard	4.10	706999-4X	706051X	706055X	706058X	35091-11	35091-12
1979-84 CB-400 & MB-400								
603916-1	Standard	4.10	706999-4X	706064X	706068X	706058X	35091-17	35091-18
603916-2	Standard	4.56	706999-6X	706065X	706069X	706058X	35091-17	35091-18
603916-3	Standard	4.10	706999-4X	706064X	706068X	706058X	35091-17	35091-18
1980-83 M-300 & M-400 Motor Home (2 pc. std. case)								
603997-1	Standard	4.88	706999-8X	706052X	706056X	706058X	35091-1	35091-1
603997-2	Standard	4.56	706999-6X	706052X	706056X	706058X	35091-1	35091-1
603997-3	Standard	4.88	706999-8X	706052X	706056X	706058X	35091-1	35091-1
1980-83 M-500 Motor Home								
603998-1	Standard	4.88	706999-8X	706065X	706069X	706058X	35103-1	35103-1
603998-2	Standard	4.88	706999-8X	706065X	706069X	706058X	35103-1	35103-1
1980-84 D-300/400 & W-300/400								
603995-1	Standard	4.56	706999-6X	706052X	706056X	706058X	35091-4	35091-4
603995-2	Powr Lok	4.56	706999-6X	706050X	706054X	706057X	35091-4	35091-4
603995-3	Standard	4.56	706999-6X	706052X	706056X	706058X	35091-4	35091-4
603995-4	Standard	4.88	706999-8X	706052X	706056X	706058X	35091-4	35091-4
603995-5	Powr Lok	4.56	706999-6X	706050X	706054X	706057X	35091-4	35091-4
603995-6	No Spin	4.88	706999-8X	28284X	706084X	35683	35091-4	35091-4
603995-7	Standard	4.10	706999-4X	706051X	706055X	706058X	35091-4	35091-4
603995-8	Powr Lok	4.88	706999-8X	706050X	706054X	706057X	35091-4	35091-4
603995-9	Standard	4.56	706999-6X	706052X	706056X	706058X	35091-4	35091-4
603995-10	Powr Lok	4.56	706999-6X	706050X	706054X	706057X	35091-4	35091-4
603995-11	Standard	4.56	706999-6X	706052X	706056X	706058X	35091-4	35091-4
603995-12	Standard	4.88	706999-8X	706052X	706056X	706058X	35091-4	35091-4
603995-13	Powr Lok	4.56	706999-6X	706050X	706054X	706057X	35091-4	35091-4
603995-14	No Spin	4.88	706999-8X	28284X	706084X	35683	35091-4	35091-4
603995-15	Standard	4.10	706999-4X	706051X	706055X	706058X	35091-4	35091-4
603995-16	Powr Lok	4.88	706999-8X	706050X	706054X	706057X	35091-4	35091-4
1984-85 D-300/D-450 Sweptline & D-350 & W-350								
605192-1	Standard	4.10	706998-3X	706051X	706055X	706058X	35091-10	35091-10
605192-2	Standard	4.56	706998-4X	706052X	706056X	706058X	35091-10	35091-10
605192-3	Powr Lok	4.10	706998-3X	706049X	706053X	706057X	35091-10	35091-10

(7) See Ring Gear & Pinion Kits in XGI Catalog for ratio & tooth combinations.

(8) See Differential Case Assy Kits in XGI Catalog for spline data & ratios.

Dodge Model 70 /267 Rear Axles

Bill of Material Table

Axle			Axle Kits				Shaft & Joint Assy.	
Bill of Material	Diff. Type	Ratio	Ring Gear & Pinion Kit ⁽⁷⁾	Differential			Right Hand Shaft Assy.	Left Hand Shaft Assy.
				Case Assy. Kit ⁽⁸⁾	Case Kit	Inner Parts Kit		
1985 D-300								
605215-1	Standard	4.10	706998-3X	706051X	706055X	706058X	35091-10	35091-10
1985 D-300 & D-400 & D-700								
605214-1	Standard	4.56	706998-4X	706052X	706056X	706058X	35091-4	35091-4
605214-2	Powr Lok	4.56	706998-4X	706050X	706054X	706057X	35091-4	35091-4
605214-3	Standard	4.56	706998-4X	706052X	706056X	706058X	35091-4	35091-4
1985-88 1/2 Front Section Motor Home								
605235-1	Standard	4.10	706998-3X	706051X	706055X	706058X	35091-11	35091-12
1985-90 1/2 Israel Aircraft								
605158-1	Standard	4.88	706998-5X	706052X	706056X	706058X	35091-28	35091-28
605158-2	Powr Lok	4.88	706998-5X	706050X	706054X	706057X	35091-28	35091-28
1985 1/2 D-300 & D-400 & D-500 & D-600								
605269-1	Standard	4.56	706998-4X	706052X	706056X	706058X	35091-4	35091-4
605269-2	Powr Lok	4.56	706998-4X	706050X	706054X	706057X	35091-4	35091-4
605269-3	Standard	4.56	706998-4X	706052X	706056X	706058X	35091-4	35091-4
605270-1	Standard	4.10	706998-3X	706051X	706055X	706058X	35091-10	35091-10
605270-2	Standard	4.56	706998-4X	706052X	706056X	706058X	35091-10	35091-10
605270-3	Standard	4.56	706998-4X	706052X	706056X	706058X	35091-10	35091-10
605270-4	Powr Lok	4.10	706998-3X	706049X	706053X	706057X	35091-10	35091-10
605270-5	Powr Lok	4.56	706998-4X	706050X	706054X	706057X	35091-10	35091-10
1987-90 D-300 & D-700 - ABS								
605313-1	Standard	3.07	706998-13X	707128X	708017	706058X	35091-4	35091-4
605313-2	Powr Lok	3.07	706998-13X	707130X	708019	707074X	35091-4	35091-4
1987-90 1/2 D-200 & D-300 & D-600 & D-700 - ABS								
605311-1	Standard	3.07	706998-13X	707128X	708017	706058X	35091-29	35091-29
605311-2	Powr Lok	3.07	706998-13X	707130X	708019	707074X	35091-29	35091-29
1987-93 D-300 Wide Track - ABS								
605513-1	Standard	3.07	707250-1X	708016	708017	707252X	43811-6	43811-6
605513-2	Powr Lok	3.07	707250-1X	708018	708019	707254X	43811-6	43811-6
1988-90 1/2 Front Section Motor Home								
605386-1	Standard	4.10	706998-3X	706051X	706055X	706058X	35091-11	35091-12
1989 D-300 Wide Track - ABS								
605408-1	Standard	3.07	706998-13X	707128X	708017	706058X	35091-10	35091-10
605408-2	Powr Lok	3.07	706998-13X	707130X	708019	707074X	35091-10	35091-10
1989-90 D-300 & D-700 - ABS								
605373-1	Standard	4.56	706998-4X	707124X	708023	706058X	35091-4	35091-4
605373-2	Powr Lok	4.56	706998-4X	707126X	708025	707074X	35091-4	35091-4
605373-3	Standard	4.56	706998-4X	707124X	708023	706058X	35091-4	35091-4
605373-4	Standard	3.54	706998-1X	707128X	708017	706058X	35091-4	35091-4
605373-5	Standard	4.10	706998-3X	707128X	708017	706058X	35091-4	35091-4
605373-6	Powr Lok	4.56	706998-4X	707126X	708025	707074X	35091-4	35091-4
605373-7	Standard	4.10	706998-3X	707128X	708017	706058X	35091-4	35091-4
605373-8	Powr Lok	4.10	706998-3X	707130X	708019	707074X	35091-4	35091-4
605373-9	Standard	4.10	706998-3X	707128X	708017	706058X	35091-4	35091-4
605373-10	Powr Lok	4.10	706998-3X	707130X	708019	707074X	35091-4	35091-4
605373-11	Powr Lok	3.54	706998-1X	707130X	708019	707074X	35091-4	35091-4

(7) See Ring Gear & Pinion Kits in XGI Catalog for ratio & tooth combinations.

(8) See Differential Case Assy Kits in XGI Catalog for spline data & ratios.

Dodge Model 70 /267 Rear Axles

Bill of Material Table

Axle			Axle Kits				Shaft & Joint Assy.	
Bill of Material	Diff. Type	Ratio	Ring Gear & Pinion Kit ⁽⁷⁾	Differential			Right Hand Shaft Assy.	Left Hand Shaft Assy.
				Case Assy. Kit ⁽⁸⁾	Case Kit	Inner Parts Kit		
1989-90 D-300								
605407-1	Standard	3.54	706998-1X	707128X	708017	706058X	35091-10	35091-10
605407-2	Standard	4.10	706998-3X	707128X	708017	706058X	35091-10	35091-10
605407-3	Standard	4.56	706998-4X	707124X	708023	706058X	35091-10	35091-10
605407-4	Standard	4.56	706998-4X	707124X	708023	706058X	35091-10	35091-10
605407-5	Powr Lok	4.56	706998-4X	707126X	708025	707074X	35091-10	35091-10
605407-6	Powr Lok	4.56	706998-4X	707126X	708025	707074X	35091-10	35091-10
605407-7	Standard	4.10	706998-3X	707128X	708017	706058X	35091-10	35091-10
605407-8	Powr Lok	4.10	706998-3X	707130X	708019	707074X	35091-10	35091-10
605407-9	Standard	4.10	706998-3X	707128X	708017	706058X	35091-10	35091-10
605407-10	Powr Lok	4.10	706998-3X	707130X	708019	707074X	35091-10	35091-10
605407-11	Standard	4.56	706998-4X	707124X	708023	706058X	35091-10	35091-10
605407-12	Powr Lok	7.17	706998-9X	707126X	708025	707074X	35091-10	35091-10
605407-13	Standard	7.17	706998-9X	707124X	708023	706058X	35091-10	35091-10
605407-14	No Spin	7.17	706998-9X	43911	-	-	35091-10	35091-10
1989-90 1/2 D-200 & D-300 & D-600 & D-700 - ABS								
605312-1	Standard	3.54	706998-1X	707128X	708017	706058X	35091-29	35091-29
605312-2	Powr Lok	3.54	706998-1X	707130X	708019	707074X	35091-29	35091-29
605312-3	Standard	4.10	706998-3X	707128X	708017	706058X	35091-29	35091-29
605312-4	Powr Lok	4.10	706998-3X	707130X	708019	707074X	35091-29	35091-29
605312-5	Standard	7.17	706998-14X	707124X	708023	706058X	35091-29	35091-29
1990 1/2 Air Force Tow Vehicle - ABS								
605489-1	Powr Lok	7.17	706998-14X	707126X	708025	707074X	35091-10	35091-10
605489-2	Standard	7.17	706998-14X	707124X	708023	706058X	35091-10	35091-10
605489-3	No Spin	7.17	706998-14X	43911	-	-	35091-10	35091-10
1991-93 1/2 Air Force Tow Vehicle - ABS								
605514-1	Powr Lok	7.17	708015-3	708024	708025	707254X	43811-6	43811-6
605514-2	Standard	7.17	708015-3	708022	708023	707252X	43811-6	43811-6
605514-3	No Spin	7.17	708015-3	44200	-	-	43811-6	43811-6
1991-93 1/2 D-200 & D-300 & D-600 & D-700 - ABS								
605508-1	Standard	3.07	707250-1X	708016	708017	707252X	43811-1	43811-1
605508-2	Powr Lok	3.07	707250-1X	708018	708019	707254X	43811-1	43811-1
605509-1	Standard	3.54	708015-1	708016	708017	707252X	43811-1	43811-1
605509-2	Standard	4.10	708015-2	708016	708017	707252X	43811-1	43811-1
605509-3	Powr Lok	4.10	708015-2	708018	708019	707254X	43811-1	43811-1
605509-4	Powr Lok	3.54	708015-1	708018	708019	707254X	43811-1	43811-1
605509-5	Standard	7.17	708015-3	708022	708023	707252X	43811-1	43811-1
605509-6	Powr Lok	3.54	708015-1	708018	708019	707254X	43811-1	43811-1
605509-7	Standard	3.54	708015-1	708016	708017	707252X	43811-1	43811-1
605509-8	Powr Lok	3.54	708015-1	708018	708019	707254X	43811-1	43811-1
605509-9	Standard	4.10	708015-2	708016	708017	707252X	43811-1	43811-1
605509-10	Powr Lok	4.10	708015-2	708018	708019	707253X	43811-1	43811-1
605509-11	Standard	4.56	707250-4X	708022	708023	707252X	43811-1	43811-1

(7) See Ring Gear & Pinion Kits in XGI Catalog for ratio & tooth combinations.

(8) See Differential Case Assy Kits in XGI Catalog for spline data & ratios.

Dodge Model 70 /267 Rear Axles

Bill of Material Table

Axle			Axle Kits				Shaft & Joint Assy.	
Bill of Material	Diff. Type	Ratio	Ring Gear & Pinion Kit ⁽⁷⁾	Differential			Right Hand Shaft Assy.	Left Hand Shaft Assy.
				Case Assy. Kit ⁽⁸⁾	Case Kit	Inner Parts Kit		
1991-93 1/2 D-300 Wide Track - ABS								
605512-1	Standard	3.54	708015-1	708016	708017	707252X	43811-6	43811-6
605512-2	Standard	4.10	708015-2	708016	708017	707252X	43811-6	43811-6
605512-3	Powr Lok	4.10	708015-2	708018	708019	707254X	43811-6	43811-6
605512-4	Standard	4.56	707250-4X	708022	708023	707252X	43811-6	43811-6
605512-5	Powr Lok	4.56	707250-4X	708024	708025	707254X	43811-6	43811-6
605512-6	Powr Lok	3.54	708015-1	708018	708019	707254X	43811-6	43811-6
605512-7	Powr Lok	4.56	707250-4X	708024	708025	707254X	43811-6	43811-6
605512-8	Powr Lok	3.54	708015-1	708018	708019	707254X	43811-6	43811-6
1991-93 1/2 D-300 & D-700 - ABS								
605510-1	Standard	3.07	707250-1X	708016	708017	707252X	43811-3	43811-3
605510-2	Powr Lok	3.07	707250-1X	708018	708019	707254X	43811-3	43811-3
605511-1	Standard	4.56	707250-4X	708022	708023	707252X	43811-3	43811-3
605511-2	Standard	3.54	708015-1	708016	708017	707252X	43811-3	43811-3
605511-3	Standard	4.10	708015-2	708016	708017	707252X	43811-3	43811-3
605511-4	Powr Lok	4.10	708015-2	708018	708019	707254X	43811-3	43811-3
605511-5	Powr Lok	4.56	707250-4X	708024	708025	707254X	43811-3	43811-3
605511-6	Powr Lok	3.54	708015-1	708018	708019	707254X	43811-3	43811-3
605511-7	Powr Lok	3.54	708015-1	708018	708019	707254X	43811-3	43811-3
1991-93 1/2 D-300 & D-400 & D-500 & D-600 & D-700 - ABS								
605522-1	Standard	3.54	708015-1	708016	708017	707252X	43811-1	43811-1
605522-2	Standard	4.10	708015-2	708016	708017	707252X	43811-1	43811-1
605522-3	Standard	4.56	707250-4X	708022	708023	707252X	43811-1	43811-1
605547-1	Standard	3.07	707250-1X	708016	708017	707252X	43811-1	43811-1

(7) See Ring Gear & Pinion Kits in XGI Catalog for ratio & tooth combinations.

(8) See Differential Case Assy Kits in XGI Catalog for spline data & ratios.

Dodge Model 70 /267 Rear Axles

Variable Parts Listing

Kits & Parts - Use With All Applications							
Description & Item Number (Refer to "Exploded View" at the front of this section)			Bills of Material				
			603651	603652	603653 603695 603696 603841	603916	603918
1	KIT – Inner Pinion Bearing	3	706060X	706060X	706060X	706060X	706060X
2	PKG – Diff & Pinion Bearing Shim	-	706213X	706077X	706213X	706213X	706213X
3	PKG – Pinion Bearing Shim	-	706357X	706357X	706357X	706357X	706357X
4	Baffle – Pinion Bearing	5	34849	34849	34849	34849	34849
5	Flat Spacer – Outer Pinion Bearing	6	—	46176	—	—	—
6	End Yoke Assembly (inc 11)	12	— ⁽⁹⁾	— ⁽⁹⁾	— ⁽⁹⁾	— ⁽⁹⁾	— ⁽⁹⁾
7	Washer – Pinion Nut	13	30275	30275	30275	30275	30275
8	KIT – Carrier Cover	-	706689X	706689X	706689X	706689X	706689X
9	Carrier Cover	15	33865	33865	33865	33865	33865
10	KIT – Differential Bearing	21	706047X	706070X	706047X	706070X	706047X
11	PKG – Diff Bearing Shim (inc 18)	22	708012	708012	708012	708012	708012
12	Bolt – Drive Gear (qty 12)	24	30266	30266	30266	30266	30266
13	Gear – Differential (std)	26	35079	35079	35079	35079	35079
14	Gear – Differential (p/l)	46	35294	35294	35294	35294	35294
			603955	603995 603997	603998	605158	605192
1	KIT – Inner Pinion Bearing	3	706060X	706060X	706060X	706861X	706861X
2	PKG – Diff & Pinion Bearing Shim	-	706213X	706213X	706077X	706863X	706863X
3	PKG – Pinion Bearing Shim	-	706357X	706357X	706357X	706862X	706862X
4	Baffle – Pinion Bearing Bearing	5	34849	34849	34849	—	—
5	Flat Spacer – Outer Pinion	6	—	—	—	46176	46176
6	End Yoke Assembly (inc 11)	12	— ⁽⁹⁾	— ⁽⁹⁾	— ⁽⁹⁾	— ⁽⁹⁾	2-4-8391-1X
7	Washer – Pinion Nut	13	30275	30275	30275	30275	30275
8	KIT – Carrier Cover	-	706689X	706689X	706689X	707181X	706980X
9	Carrier Cover	15	33865	33865	33865	42815-2	38454
10	KIT – Differential Bearing	21	706047X	706047X	706070X	706047X	706047X
11	PKG – Diff Bearing Shim (inc 18)	22	708012	708012	706373X	708012	708012
12	Bolt – Drive Gear (qty 12)	24	40638	30266	30266	40638	30266
13	Gear – Differential (std)	26	35079	35079	35079	35079	35079
14	Gear – Differential (p/l)	46	35294	35294	35294	35294	35294
			605214 605215	605235	605269 605270	605311 605312 605313	605373
1	KIT – Inner Pinion Bearing	3	706861X	706861X	706861X	706861X	706861X
2	PKG – Diff & Pinion Bearing Shim	-	706863X	706863X	706863X	706863X	706863X
3	PKG – Pinion Bearing Shim	-	706862X	706862X	706862X	706862X	706862X
4	Baffle – Pinion Bearing	5	—	—	—	—	—
5	Flat Spacer – Outer Pinion Bearing	6	46176	46176	46176	46176	46176
6	End Yoke Assembly (inc 11)	12	— ⁽⁹⁾	3-4-5711-1X	— ⁽⁹⁾	3-4-5711-1X	— ⁽⁹⁾
7	Washer – Pinion Nut	13	30275	30275	30275	30275	30275
8	KIT – Carrier Cover	-	706689X	707181X	706689X	707181X	707181X
9	Carrier Cover	15	33865	42815-2	33865	42815-2	42815-2
10	KIT – Differential Bearing	21	706047X	706047X	706047X	706047X	706047X
11	PKG – Diff Bearing Shim (inc 18)	22	708012	708012	708012	708012	708012
12	Bolt – Drive Gear (qty 12)	24	30266	40638	30266	40638	40638
13	Gear – Differential (std)	26	35079	35079	35079	35079	35079
14	Gear – Differential (p/l)	46	35294	35294	35294	35294	35294

(See next page for additional bills of material)

(9) Must identify yoke series used in vehicle; Service 7260 Series with 1310 Series using 2-4-8391X, 5-353X and 2-70-18X. Service 7290 Series with 2-4-7681-1X. Service 1410 Series with 3-4-5711-1X. Contact vehicle manufacturer for 5380 Series.

Dodge Model 70 /267 Rear Axles Variable Parts Listing

Kits & Parts - Use With All Applications							
Description & Item Number (Refer to "Exploded View" at the front of this section)			Bills of Material				
			605386	605407	605408	605489	605508 605509 605510 605511 605512
1	KIT – Inner Pinion Bearing	3	706861X	706861X	706861X	706861X	706861X
2	PKG – Diff & Pinion Bearing Shim	-	706863X	706863X	706863X	706863X	707258X
3	PKG – Pinion Bearing Shim	-	706862X	706862X	706862X	706862X	707257X
4	Baffle – Pinion Bearing	5	—	—	—	—	—
5	Flat Spacer – Outer Pinion Bearing	6	46176	46176	46176	46176	46176
6	End Yoke Assembly (inc 11)	12	3-4-5711-1X	— ⁽⁹⁾	3-4-5711-1X	3-4-5711-1X	3-4-11891-1X
7	Washer – Pinion Nut	13	30275	30275	30275	30275	44167
8	KIT – Carrier Cover	-	707181X	707181X	707181X	707181X	707181X
9	Carrier Cover	15	42815-2	42815-2	42815-2	42815-2	42815-2
10	KIT – Differential Bearing	21	706047X	706047X	706047X	706047X	706047X
11	PKG – Diff Bearing Shim (inc 18)	22	708012	708012	708012	708012	708012
12	Bolt – Drive Gear (qty 12)	24	40638	40638	40638	40638	40638
13	Gear – Differential (std)	26	35079	35079	35079	35079	43913
14	Gear – Differential (p/l)	46	35294	35294	35294	35294	43914
			605513	605514	605522 605547		
1	KIT – Inner Pinion Bearing	3	706861X	706861X	706861X		
2	PKG – Diff & Pinion Bearing Shim	-	707258X	707258X	707258X		
3	PKG – Pinion Bearing Shim	-	707257X	707257X	707257X		
4	Baffle – Pinion Bearing	5	—	—	—		
5	Flat Spacer – Outer Pinion Bearing	6	46176	46176	46176		
6	End Yoke Assembly (inc 11)	12	3-4-11891-1X	3-4-11891-1X	3-4-11891-1X		
7	Washer – Pinion Nut	13	44167	44167	44167		
8	KIT – Carrier Cover	-	707181X	707181X	707181X		
9	Carrier Cover	15	42815-2	42815-2	42815-2		
10	KIT – Differential Bearing	21	706047X	706047X	706047X		
11	PKG – Diff Bearing Shim (inc 18)	22	708012	708012	708012		
12	Bolt – Drive Gear (qty 12)	24	40638	40638	40638		
13	Gear – Differential (std)	26	35079	43913	43913		
14	Gear – Differential (p/l)	46	35294	43914	—		

(9) Must identify yoke series used in vehicle; Service 7260 Series with 1310 Series using 2-4-8391X, 5-353X and 2-70-18X. Service 7290 Series with 2-4-7681-1X. Service 1410 Series with 3-4-5711-1X. Contact vehicle manufacturer for 5380 Series.