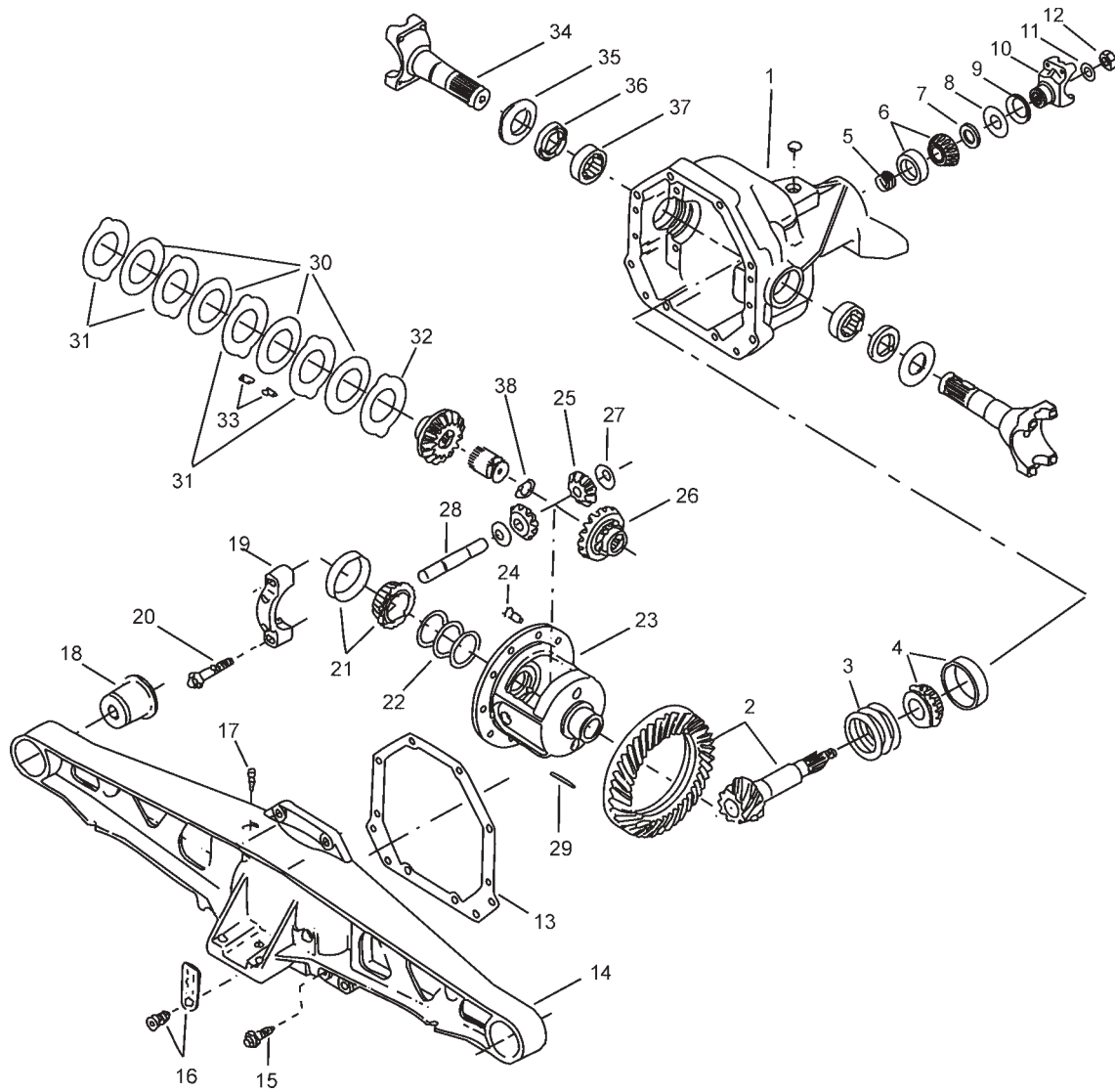


Dodge / Chrysler 1993 1/2-1998

Model 44 /216 ICA Rear Axles for

Viper

Dodge Model 44 /216 ICA Rear Axles Exploded View



Dodge Model 44 /216 ICA Rear Axles Parts Listing

ITEM NO.	PART NUMBER	DESCRIPTION	ITEM NO.	PART NUMBER	DESCRIPTION
1	— ⁽³⁾	Housing – Axle Service	18	44467-2	Bushing – Carrier Cover
2	— ⁽¹⁾	Drive Pinion & Gear Assembly	19	— ⁽³⁾	Differential Bearing Cap
3	— ⁽⁴⁾	PKG – Inner Pinion Shim (select pkg. based on thickness req)	20	41212	Bolt – Differential Bearing Cap
	72922-1X	Inner Pinion Shim (.030 to .034)	21	706988X	KIT – Differential Bearing
	72922-2X	Inner Pinion Shim (.035 to .039)	22	701005X	PKG – Differential Bearing Shim
	72922-3X	Inner Pinion Shim (.040 to .044)	23	— ⁽¹⁾	Case – Differential
	72922-4X	Inner Pinion Shim (.045 to .049)	24	41221	Bolt – Drive Gear (qty 10)
	72922-5X	Inner Pinion Shim (.050 to .054)	25	— ⁽²⁾	Pinion – Differential
4	707064X	KIT – Inner Pinion Bearing	26	— ⁽²⁾	Gear – Differential
5	43916	Collapsible Spacer	27	13338-3	Thrustwasher – Differential Pinion
6	706123X	KIT – Outer Pinion Bearing	28	41219	Shaft – Differential
7	42737	Thrustwasher – Bearing	29	13449	Lock – Differential Shaft
8	42449	Seal – Pinion Oil		707018X	KIT – Differential Plate & Disc (inc items 30, 31, 32, 33)
9	42501	Seal – End Yoke	30	— ⁽⁴⁾	Disc – Differential
10	3-4-12211-1	End Yoke Assembly	31	— ⁽⁴⁾	Plate – Differential Pressure
11	30275	Washer – Pinion Nut	32	— ⁽⁴⁾	Plate – Differential Dished
12	30271	Pinion Nut	33	40835	Clip – Differential Clutch Retainer
13	38615	RTV Silicone Sealant	34	— ⁽¹⁾	Shaft – Inner Yoke (inc item 35)
14	— ⁽³⁾	Arm – Carrier Cover Support	35	41218	Seal – Inner Yoke Shaft
15	44300	Screw – Carrier Cover	36	45670	Oil Seal
16	39527	Fill Plug	37	566002	Bearing – Yoke Shaft
17	— ⁽²⁾	Breather Vent	38	41323-8	Snap Ring

(1) See "Bill of Material Table" on next page

(2) See "Variable Parts Table" within this section

(3) Contact Vehicle Manufacturer

(4) Not Sold Separately

(5) See Spicer Chassis Catalog for part number and additional steering parts

Dodge Model 44 /216 ICA Rear Axles

Bill of Material Table

Axle			Axle Kits				Shaft & Joint Assy.	
Bill of Material	Diff. Type	Ratio	Ring Gear & Pinion Kit ⁽⁷⁾	Differential			Right Hand Shaft Assy.	Left Hand Shaft Assy.
				Case Assy. Kit ⁽⁸⁾	Case Kit	Inner Parts Kit		
1993 1/2 Viper								
605529-1	Trac Lok	3.07	74436-5X	74705X	-	-	74788-1X	74788-2X
1994-95 1/2 Viper								
605648-1	Trac Lok	3.07	74436-5X	74705X	-	-	74788-1X	74788-2X
1996-97 Viper								
605752-1	Trac Lok	3.07	75402-5X	75499X	-	-	74788-1X	74788-2X
1998-2000 Viper								
606014-1	Trac Lok	3.07	75402-5X	75499X	-	-	74788-1X	74788-2X

(7) See Ring Gear & Pinion Kits in XGI Catalog for ratio & tooth combinations.

(8) See Differential Case Assy Kits in XGI Catalog for spline data & ratios.

Variable Parts Listing

Kits & Parts - Use With All Applications						
	Description & Item Number (Refer to "Exploded View" at the front of this section)		Bills of Material			
			605529 605648	605752 606014		
1	Breather Vent	17	40750	44780		
2	Pinion – Differential (t/l)	25	44010	41193		
3	Gear – Differential (t/l)	26	44008	46618		