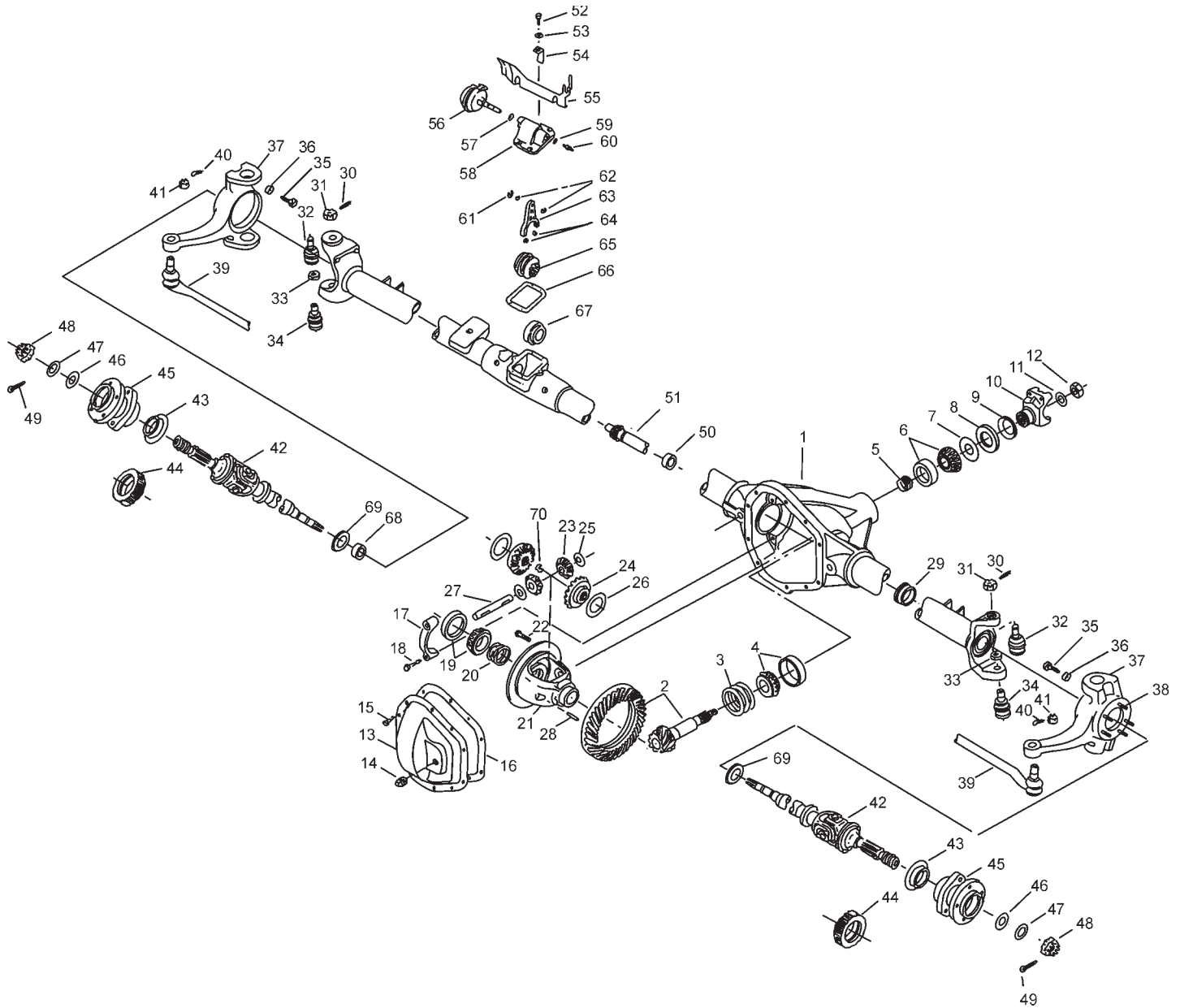


**Dodge / Chrysler 1994-1998 1/2**

**Model 44 /216 Disconnect Front  
Axles for**

**W1500 and W2500 Ram**

# Dodge Model 44 /216 Disconnect Front-Ram Exploded View



# Dodge Model 44 /216 Disconnect Front-Ram Parts Listing

ITEM NO.	PART NUMBER	DESCRIPTION	ITEM NO.	PART NUMBER	DESCRIPTION
1	— <sup>(3)</sup>	Housing – Axle Service	37	— <sup>(3)</sup>	Knuckle (RH)
2	— <sup>(1)</sup>	Drive Pinion & Gear Assembly		— <sup>(3)</sup>	Knuckle (LH)
3	701112X	PKG – Inner Pinion Shim	38	44993-1	Bolt – Knuckle (if required)
4	706015X	KIT – Inner Pinion Bearing	39	— <sup>(5)</sup>	Tie Rod Assembly
5	44896	Collapsible Spacer	40	— <sup>(5)</sup>	Cotter Pin
6	706030X	KIT – Outer Pinion Bearing	41	— <sup>(5)</sup>	Nut – Slotted
7	13575	Slinger – Outer Pinion Bearing	42	— <sup>(1)</sup>	Shaft & Joint Assembly
8	44895	Seal – Pinion Oil	43	— <sup>(2)</sup>	Slinger
9	232549	Seal – End Yoke		— <sup>(2)</sup>	Shaft & Slinger Assembly
10	2-4-7651-1X	End Yoke Assembly (inc 9)	44	— <sup>(2)</sup>	Shaft & Tone Ring Assy (ABS)
11	30186	Washer – Pinion Nut	45	— <sup>(3)</sup>	Hub Assembly
12	30185	Pinion Nut	46	— <sup>(2)</sup>	Spacer – Flat
	707192X	KIT – Carrier Cover (inc 13, 14, 15)	47	— <sup>(2)</sup>	Washer – Flat
13	— <sup>(4)</sup>	Carrier Cover	48	46085	Slotted Nut
14	36472	Plug – Carrier Cover	49	500025-10	Cotter Pin
15	34279	Bolt – Carrier Cover (qty 10)	50	50429 <sup>(6)</sup>	Bushing – Synthetic
16	38615	RTV Silicone Sealant	51	45770	Output Shaft
17	— <sup>(3)</sup>	Differential Bearing Cap		75265X	KIT – Front Axle Shaft (inc 51, 68)
18	48632-1	Bolt – Differential Bearing Cap	52	500396-10	Bolt – Disconnect Assembly
19	706032X	KIT – Differential Bearing	53	500357-9	Lockwasher
20	706086X	PKG – Differential Bearing Shim	54	— <sup>(3)</sup>	Brake Line Clip
21	— <sup>(1)</sup>	Case – Differential	55	43424	Protection Shield
22	41221	Bolt – Drive Gear (qty 10)		— <sup>(3)</sup>	Cover & Motor Assembly
23	— <sup>(2)</sup>	Pinion – Differential			(inc 56, 57, 58, 59, 60, 61, 62, 63, 64)
24	— <sup>(2)</sup>	Gear – Differential	56	— <sup>(4)</sup>	Motor Assembly
25	13338-3	Thrustwasher – Differential Pinion	57	— <sup>(4)</sup>	O-Ring
26	— <sup>(2)</sup>	Thrustwasher – Differential Gear	58	— <sup>(4)</sup>	Cover – Housing
27	39194	Shaft – Differential	59	— <sup>(4)</sup>	O-Ring
28	13449	Lock – Differential Shaft	60	— <sup>(4)</sup>	Switch Assembly
29	620216	Seal – Tube (left side)	61	— <sup>(4)</sup>	Snap Ring
	707315X	KIT – Socket Assembly	62	— <sup>(4)</sup>	Snap Ring
		(inc items 30, 31, 32, 33, 34)	63	— <sup>(4)</sup>	Shift Fork
30	500024-6	Cotter Pin	64	— <sup>(4)</sup>	Clip
31	40584	Nut – Slotted	65	46401	Clutch Collar
32	40916	Upper Socket	66	41494	Gasket
33	35566	Lock Nut	67	43154	Seal – Tube (right side)
34	40113	Socket Assembly – Lower	68	43337	Bushing
35	— <sup>(2)</sup>	Stop Screw	69	— <sup>(2)</sup>	Oil Seal
36	— <sup>(2)</sup>	Jam Nut	70	42570	Snap Ring – Output Shaft (if required)

(1) See "Bill of Material Table" on next page

(2) See "Variable Parts Table" within this section

(3) Contact Vehicle Manufacturer

(4) Not Sold Separately

(5) See Spicer Chassis Catalog for part number and additional steering parts

(6) Bearing Assembly 566008 was used in older models and is still available for service

# Dodge Model 44 /216 Disconnect Front-Ram

## Bill of Material Table

Axle			Axle Kits				Shaft & Joint Assy.	
Bill of Material	Diff. Type	Ratio	Ring Gear & Pinion Kit <sup>(7)</sup>	Differential			Right Hand Shaft Assy.	Left Hand Shaft Assy.
				Case Assy. Kit <sup>(8)</sup>	Case Kit	Inner Parts Kit		
<b>1994-94 1/2 W1500</b>								
610422-1	Standard	3.54	707338-1X	707021X	706024X	707025X	76812-1X	76813-1X
610422-2	Standard	3.92	707338-2X	707022X	706025X	707025X	76812-1X	76813-1X
610424-1	Standard	3.54	707338-1X	707021X	706024X	707025X	74759-1X	74760-1X
610424-2	Standard	3.92	707338-2X	707022X	706025X	707025X	74759-1X	74760-1X
<b>1994-94 1/2 W2500</b>								
610423-1	Standard	3.92	707338-2X	707022X	706025X	707025X	76812-1X	76813-1X
610423-2	Standard	4.09	707338-3X	707022X	706025X	707025X	76812-1X	76813-1X
610423-4	Standard	3.54	707338-1X	707021X	706024X	707025X	76812-1X	76813-1X
610425-1	Standard	3.92	707338-2X	707022X	706025X	707025X	74759-1X	74760-1X
610425-2	Standard	4.09	707338-3X	707022X	706025X	707025X	74759-1X	74760-1X
610425-4	Standard	3.54	707338-1X	707021X	706024X	707025X	74759-1X	74760-1X
<b>1995 W1500</b>								
610514-1	Standard	3.54	707338-1X	707021-1X	706024X	707025-1X	74759-1X	74760-1X
610514-2	Standard	3.92	707338-2X	707022-1X	706025X	707025-1X	74759-1X	74760-1X
<b>1995 W2500</b>								
610515-1	Standard	3.54	707338-1X	707021-1X	706024X	707025-1X	74759-1X	74760-1X
610515-2	Standard	3.92	707338-2X	707022-1X	706025X	707025-1X	74759-1X	74760-1X
610515-3	Standard	4.09	707338-3X	707022-1X	706025X	707025-1X	74759-1X	74760-1X
<b>1995-95 1/2 W1500</b>								
610537-1	Standard	3.54	707338-1X	707021-1X	706024X	707025-1X	74759-1X	74760-1X
610537-2	Standard	3.92	707338-2X	707022-1X	706025X	707025-1X	74759-1X	74760-1X
<b>1995-95 1/2 W2500</b>								
610538-1	Standard	3.54	707338-1X	707021-1X	706024X	707025-1X	74759-1X	74760-1X
610538-2	Standard	3.92	707338-2X	707022-1X	706025X	707025-1X	74759-1X	74760-1X
610538-3	Standard	4.09	707338-3X	707022-1X	706025X	707025-1X	74759-1X	74760-1X
<b>1995-96 1/2 W1500</b>								
610512-1	Standard	3.54	707338-1X	707021-1X	706024X	707025-1X	76812-1X	76813-1X
610512-2	Standard	3.92	707338-2X	707022-1X	706025X	707025-1X	76812-1X	76813-1X
<b>1995-96 1/2 W2500</b>								
610513-1	Standard	3.54	707338-1X	707021-1X	706024X	707025-1X	76812-1X	76813-1X
610513-2	Standard	3.92	707338-2X	707022-1X	706025X	707025-1X	76812-1X	76813-1X
610513-3	Standard	4.09	707338-3X	707022-1X	706025X	707025-1X	76812-1X	76813-1X
<b>1996 W1500</b>								
610602-1	Standard	3.54	707338-1X	707021-1X	706024X	707025-1X	74759-1X	74760-1X
610602-2	Standard	3.92	707338-2X	707022-1X	706025X	707025-1X	74759-1X	74760-1X
610612-1	Standard	3.54	707338-1X	707021-1X	706024X	707025-1X	76812-1X	76813-1X
610612-2	Standard	3.92	707338-2X	707022-1X	706025X	707025-1X	76812-1X	76813-1X
<b>1996 W2500</b>								
610603-1	Standard	3.54	707338-1X	707021-1X	706024X	707025-1X	74759-1X	74760-1X
610603-2	Standard	3.92	707338-2X	707022-1X	706025X	707025-1X	74759-1X	74760-1X
610603-3	Standard	4.09	707338-3X	707022-1X	706025X	707025-1X	74759-1X	74760-1X
610613-1	Standard	3.54	707338-1X	707021-1X	706024X	707025-1X	76812-1X	76813-1X
610613-2	Standard	3.92	707338-2X	707022-1X	706025X	707025-1X	76812-1X	76813-1X
610613-3	Standard	4.09	707338-3X	707022-1X	706025X	707025-1X	76812-1X	76813-1X

(7) See Ring Gear & Pinion Kits in XGI Catalog for ratio & tooth combinations.

(8) See Differential Case Assy Kits in XGI Catalog for spline data & ratios.

# Dodge Model 44 /216 Disconnect Front-Ram

## Bill of Material Table

Axle			Axle Kits				Shaft & Joint Assy.	
Bill of Material	Diff. Type	Ratio	Ring Gear & Pinion Kit <sup>(7)</sup>	Differential			Right Hand Shaft Assy.	Left Hand Shaft Assy.
				Case Assy. Kit <sup>(8)</sup>	Case Kit	Inner Parts Kit		
<b>1996 1/2 W1500</b>								
610614-1	Standard	3.54	707338-1X	707021-1X	706024X	707025-1X	74759-1X	74760-1X
610614-2	Standard	3.92	707338-2X	707022-1X	706025X	707025-1X	74759-1X	74760-1X
<b>1996 1/2 W2500</b>								
610615-1	Standard	3.54	707338-1X	707021-1X	706024X	707025-1X	74759-1X	74760-1X
610615-2	Standard	3.92	707338-2X	707022-1X	706025X	707025-1X	74759-1X	74760-1X
610615-3	Standard	4.09	707338-3X	707022-1X	706025X	707025-1X	74759-1X	74760-1X
<b>1997-97 1/2 W1500</b>								
610631-1	Standard	3.54	707338-1X	707021-1X	706024X	707025-1X	76812-1X	76813-1X
610631-2	Standard	3.92	707338-2X	707022-1X	706025X	707025-1X	76812-1X	76813-1X
610633-1	Standard	3.54	707338-1X	707021-1X	706024X	707025-1X	74759-1X	74760-1X
610633-2	Standard	3.92	707338-2X	707022-1X	706025X	707025-1X	74759-1X	74760-1X
<b>1997-97 1/2 W2500</b>								
610632-1	Standard	3.54	707338-1X	707021-1X	706024X	707025-1X	76812-1X	76813-1X
610632-2	Standard	3.92	707338-2X	707022-1X	706025X	707025-1X	76812-1X	76813-1X
610632-3	Standard	4.09	707338-3X	707022-1X	706025X	707025-1X	76812-1X	76813-1X
610634-1	Standard	3.54	707338-1X	707021-1X	706024X	707025-1X	74759-1X	74760-1X
610634-2	Standard	3.92	707338-2X	707022-1X	706025X	707025-1X	74759-1X	74760-1X
610634-3	Standard	4.09	707338-3X	707022-1X	706025X	707025-1X	74759-1X	74760-1X
<b>1998 W1500</b>								
610814-1	Standard	3.54	707338-1X	707021-1X	706024X	707025-1X	76812-1X	76813-1X
610814-2	Standard	3.92	707338-2X	707022-1X	706025X	707025-1X	76812-1X	76813-1X
610815-1	Standard	3.54	707338-1X	707021-1X	706024X	707025-1X	76812-1X	76813-1X
610815-2	Standard	3.92	707338-2X	707022-1X	706025X	707025-1X	76812-1X	76813-1X
<b>1998-98 1/2 W1500</b>								
610715-1	Standard	3.54	707338-1X	707021-1X	706024X	707025-1X	76812-1X	76813-1X
610715-2	Standard	3.92	707338-2X	707022-1X	706025X	707025-1X	76812-1X	76813-1X
610717-1	Standard	3.54	707338-1X	707021-1X	706024X	707025-1X	76812-1X	76813-1X
610717-2	Standard	3.92	707338-2X	707022-1X	706025X	707025-1X	76812-1X	76813-1X
<b>1998 1/2 W1500</b>								
610792-1	Standard	3.54	707338-1X	707021-1X	706024X	707025-1X	76812-1X	76813-1X
610792-2	Standard	3.92	707338-2X	707022-1X	706025X	707025-1X	76812-1X	76813-1X
610793-1	Standard	3.54	707338-1X	707021-1X	706024X	707025-1X	76812-1X	76813-1X
610793-2	Standard	3.92	707338-2X	707022-1X	706025X	707025-1X	76812-1X	76813-1X

(7) See Ring Gear &amp; Pinion Kits in XGI Catalog for ratio &amp; tooth combinations.

(8) See Differential Case Assy Kits in XGI Catalog for spline data &amp; ratios.

# Dodge Model 44 /216 Disconnect Front-Ram Variable Parts Listing

Kits & Parts - Use With All Applications							
Description & Item Number (Refer to "Exploded View" at the front of this section)			Bills of Material				
			610422 610423	610424 610425	610512 610513	610514 610515	610537 610538
4	Pinion – Differential	23	17717	17717	45872	45872	45872
5	Gear – Differential	24	40194	40194	45870	45870	45870
6	Thrustwasher – Differential Gear	26	40196	40196	32121	32121	32121
11	Stop Screw	35	31026-2	31026-2	31026-2	31026-2	31026-2
12	Jam Nut	36	500381-3	500381-3	500381-3	500381-3	500381-3
13	Slinger	43	45942	—	45942	—	—
14	Shaft & Slinger Assembly	-	74916X	—	74916X	—	—
15	Shaft & Tone Ring Assembly (ABS)	44	—	74917X	—	74917X	74917X
16	Spacer – Flat	46	44997	44997	44997	44997	44997
17	Washer – Flat	47	45523-1	45523-1	45523	45523-1	45523
19	Oil Seal	69	49254	—	49254	—	—
			<b>610602 610603</b>	<b>610612 610613</b>	<b>610614 610615</b>	<b>610631</b>	<b>610632</b>
4	Pinion – Differential	23	45872	45872	45872	45872	45872
5	Gear – Differential	24	45870	45870	45870	45870	45870
6	Thrustwasher – Differential Gear	26	32121	32121	32121	32121	32121
11	Stop Screw	35	31026-2	31026-2	31026-2	31026-2	31026-2
12	Jam Nut	36	500381-3	500381-3	500381-3	500381-3	500381-3
13	Slinger	43	—	45942	—	45942	45942
14	Shaft & Slinger Assembly	-	—	74916X	—	74916X	74916X
15	Shaft & Tone Ring Assembly (ABS)	44	74917X	—	74917X	—	—
16	Spacer – Flat	46	44997	44997	44997	44997	44997
17	Washer – Flat	47	45523	45523	45523	45523	45523
19	Oil Seal	69	—	49254	—	49254	—
			<b>610633 610634</b>	<b>610715</b>	<b>610717</b>	<b>610792</b>	<b>610793</b>
4	Pinion – Differential	23	45872	45872	45872	45872	45872
5	Gear – Differential	24	45870	45870	45870	45870	45870
6	Thrustwasher – Differential Gear	26	32121	32121	32121	32121	32121
11	Stop Screw	35	31026-2	31026-2	31026-2	31026-3	31026-3
12	Jam Nut	36	500381-3	500381-3	500381-3	49270	49270
13	Slinger	43	—	45942	45942	45942	45942
14	Shaft & Slinger Assembly	-	—	74916X	—	74916X	—
15	Shaft & Tone Ring Assembly (ABS)	44	74917X	—	74917X	—	74917X
16	Spacer – Flat	46	44997	44997	48352	44997	48352
17	Washer – Flat	47	45523	45523	45523	45523	45523
19	Oil Seal	69	—	49254	49254	49254	49254
			<b>610814</b>	<b>610815</b>			
4	Pinion – Differential	23	45872	45872			
5	Gear – Differential	24	45870	45870			
6	Thrustwasher – Differential Gear	26	32121	32121			
11	Stop Screw	35	31026-3	31026-3			
12	Jam Nut	36	49270	49270			
13	Slinger	43	45942	45942			
14	Shaft & Slinger Assembly	-	74916X	—			
15	Shaft & Tone Ring Assembly (ABS)	44	—	74917X			
16	Spacer – Flat	46	44997	48352			
17	Washer – Flat	47	45523	45523			
19	Oil Seal	69	49254	49254			